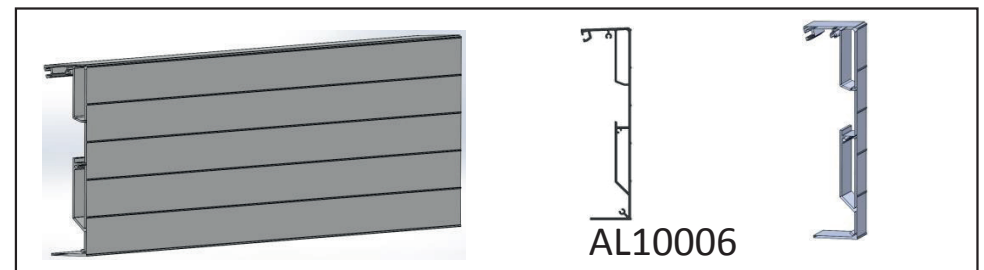
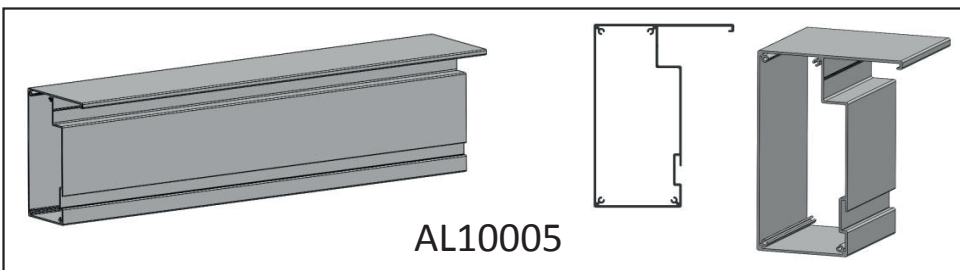
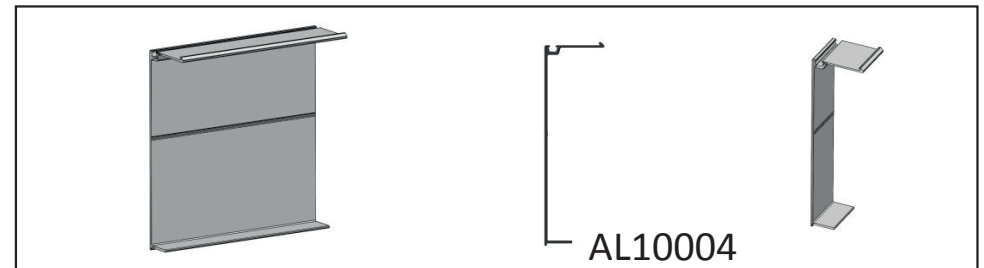
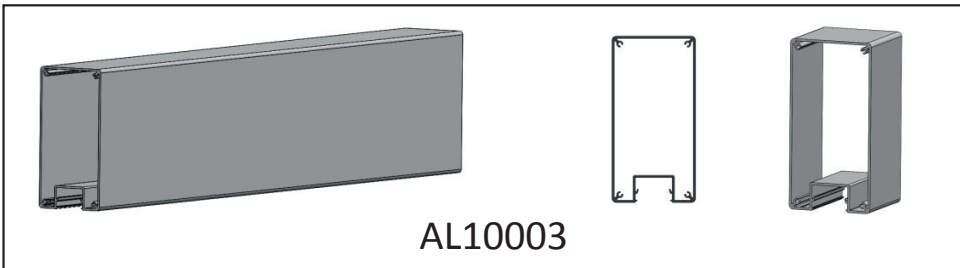
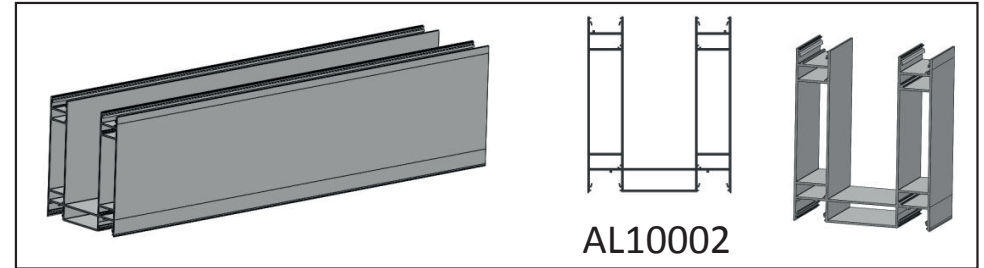
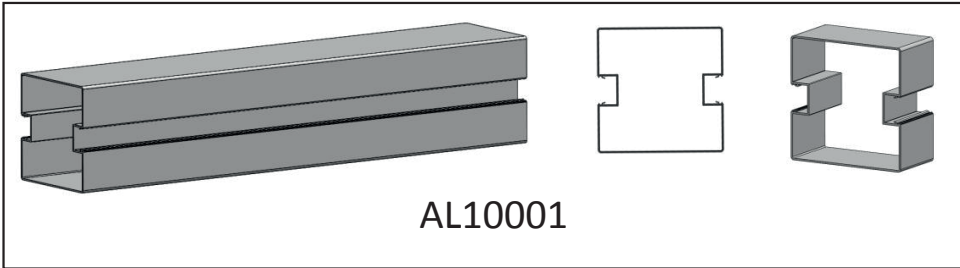


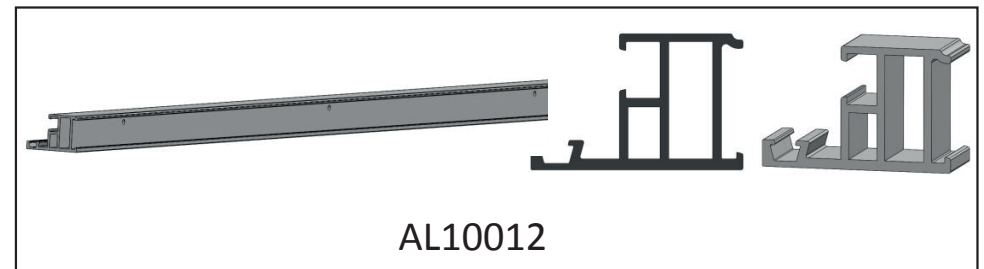
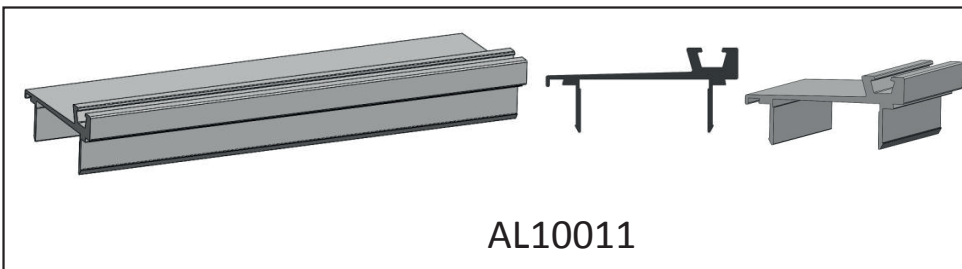
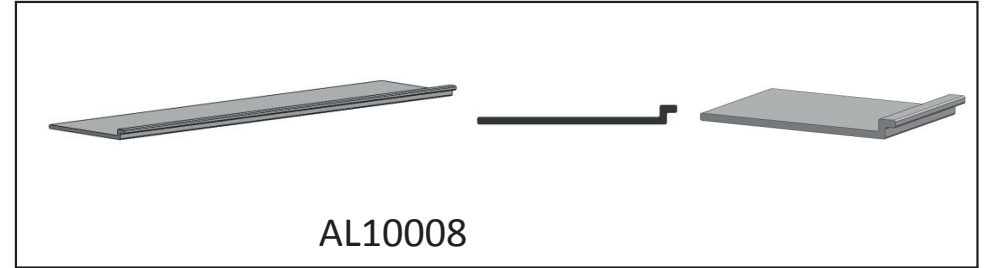
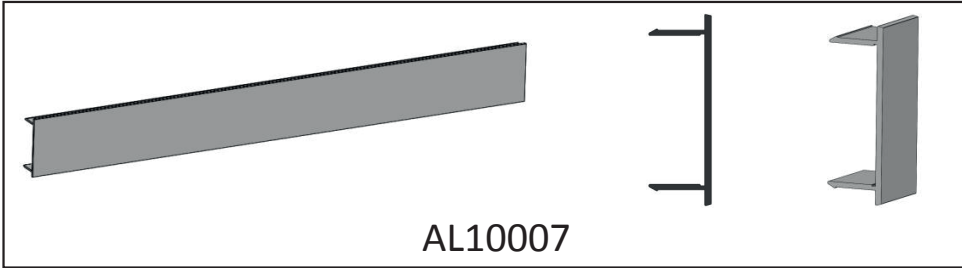
KARLE & RUBNER

TERRACON®

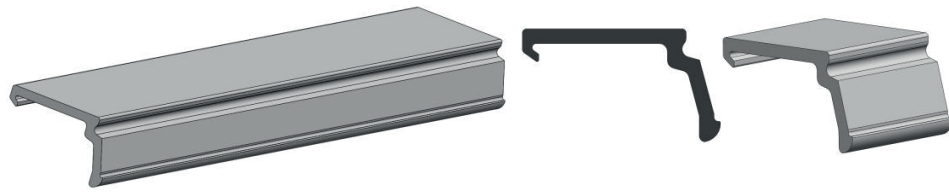
Montageanleitung CUBUSLINE



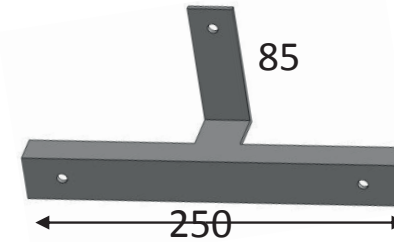




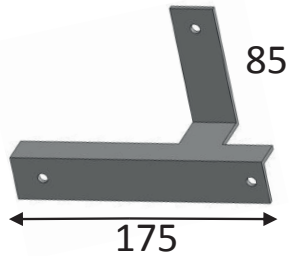
4



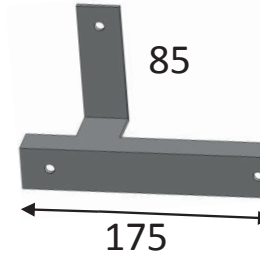
AL10013



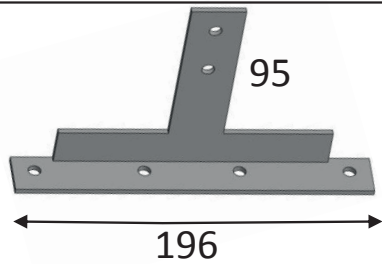
AL10009



AL10009A



AL10009B



AL10010



UL-01 L + R

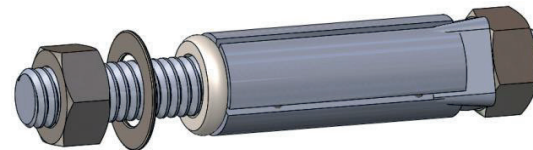
5



UL-02



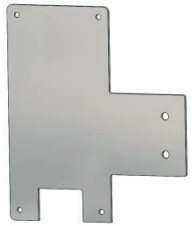
* excl.



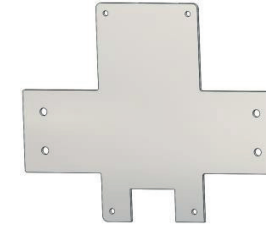
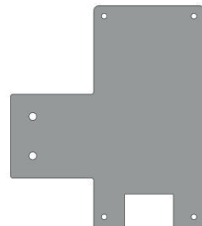
* excl.

M14 x 100

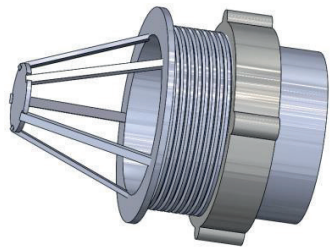
6



UL-04



UL-06



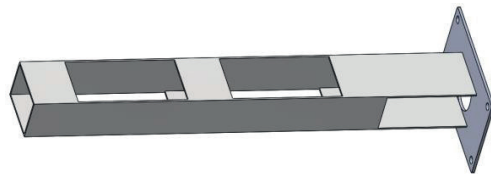
83 mm



0300 BI 6,3 x 25



0303 BI 5,5 x 25



STL-06

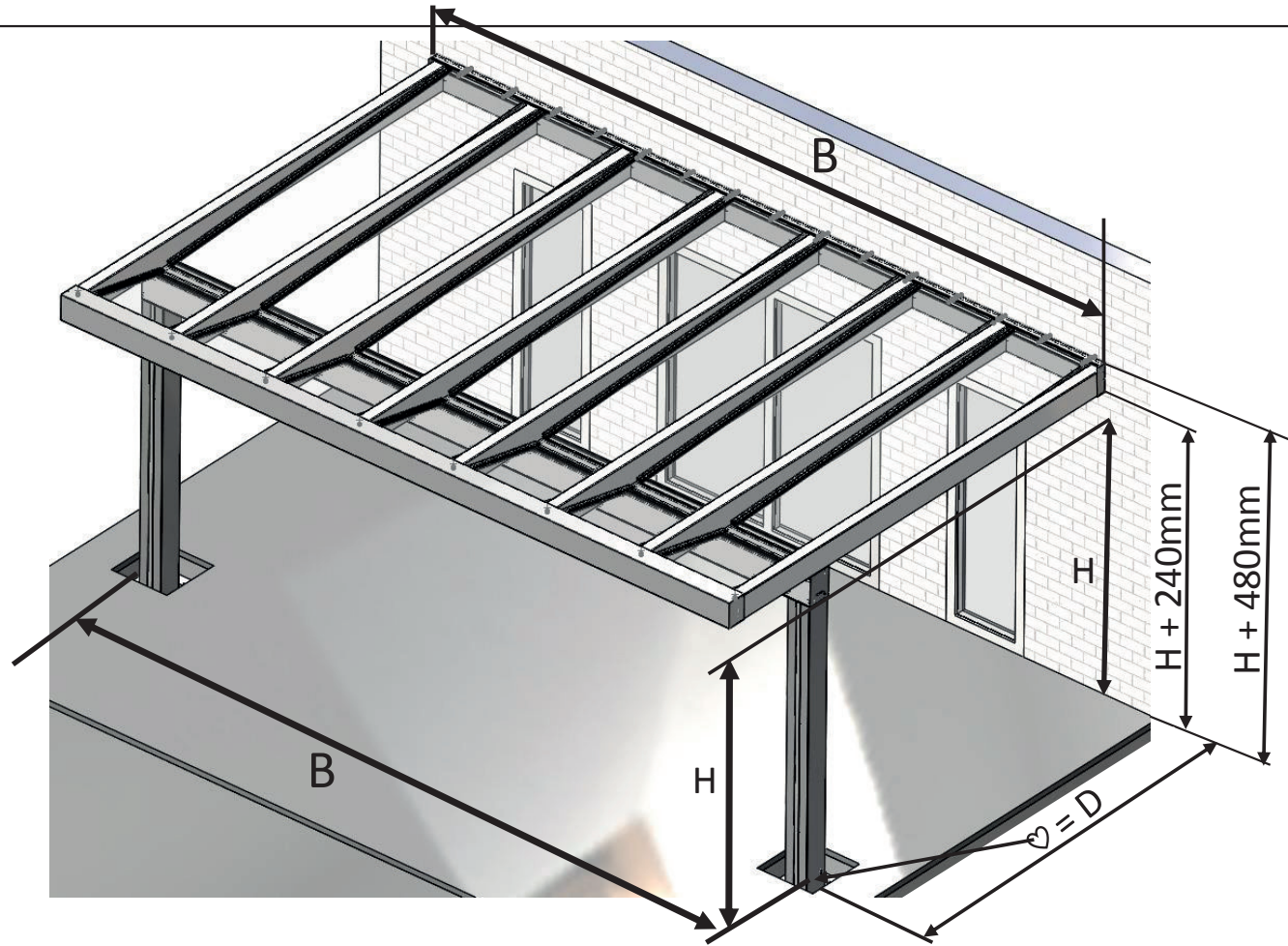


0385 SA 5,5 x 32

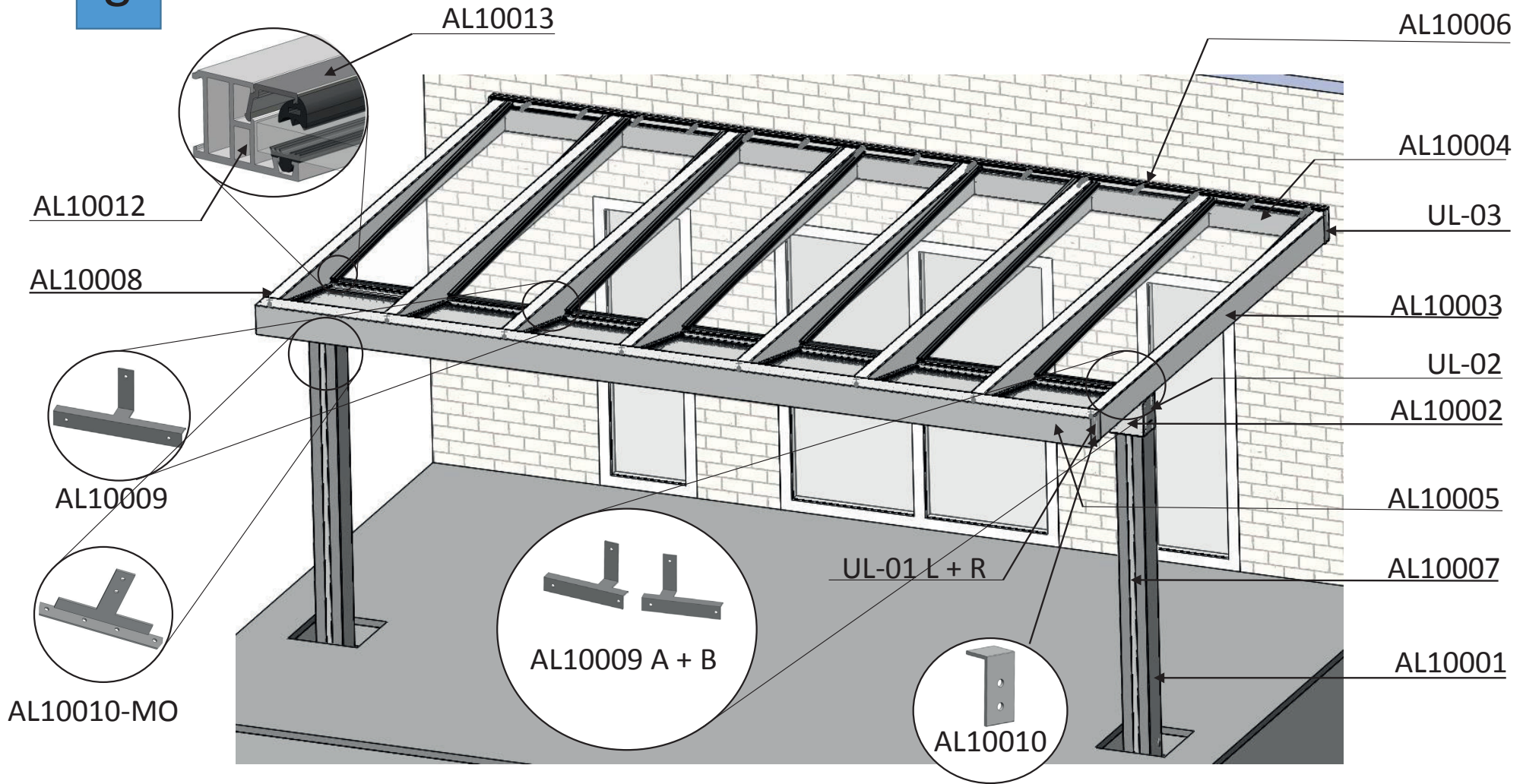


0390 SA 4,2 x 32

7

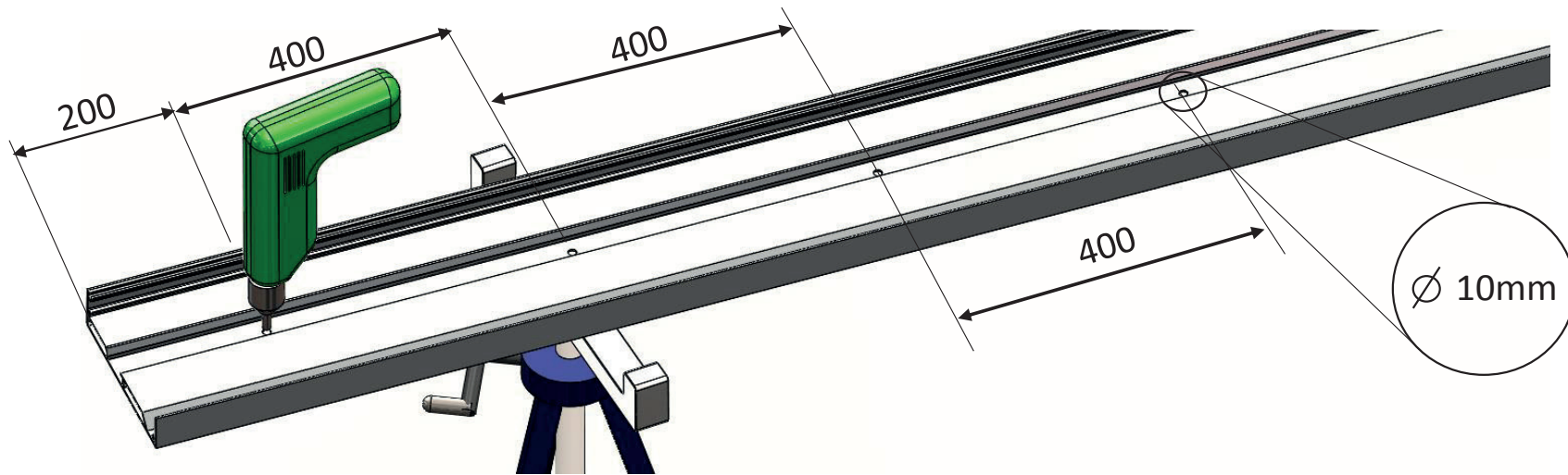
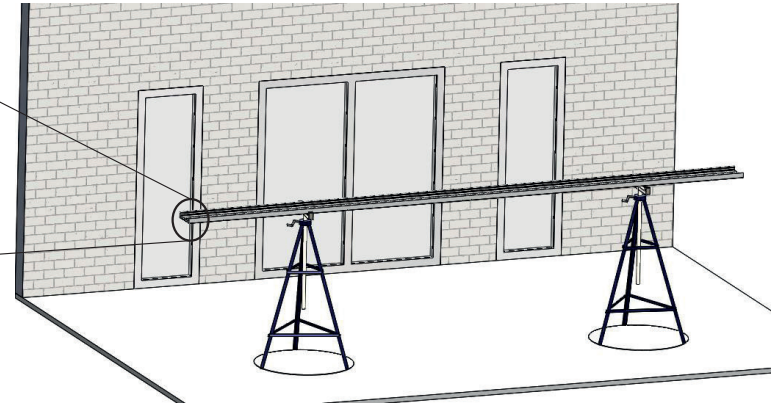
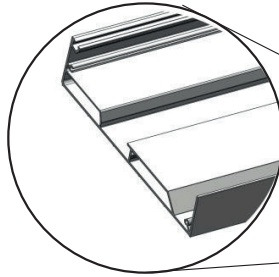
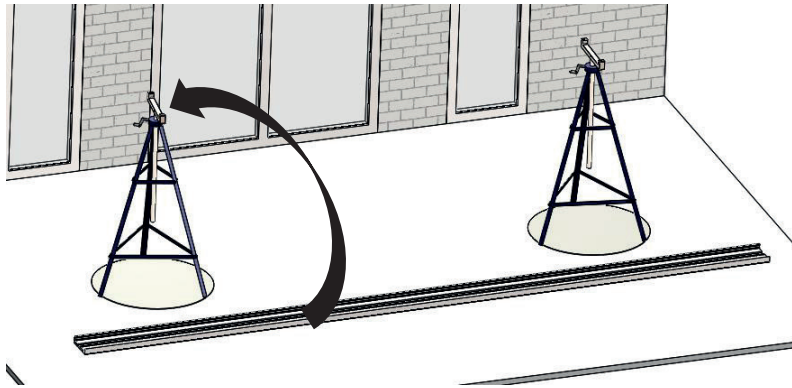
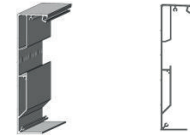


8



9

1 x 10006



10

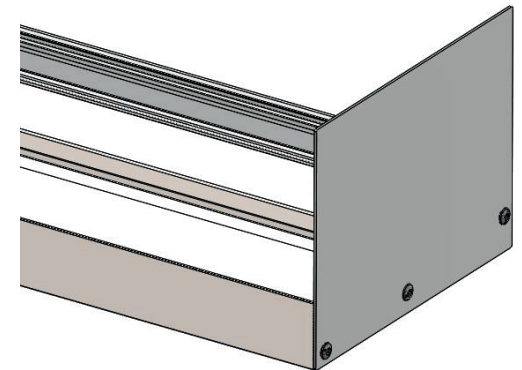
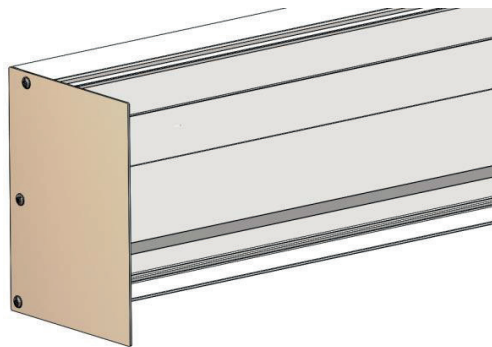
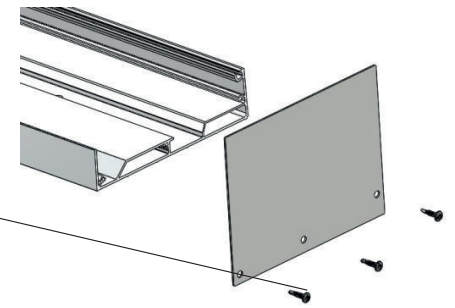
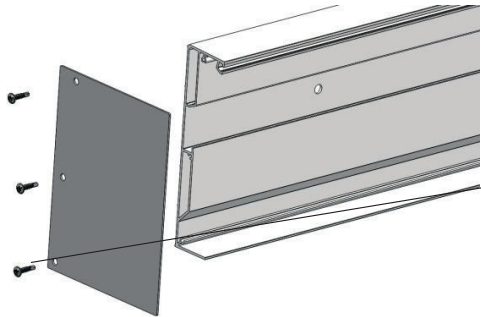
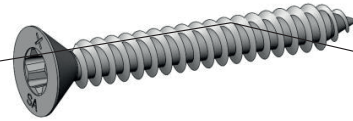
1 x 10006



2 x UL-03

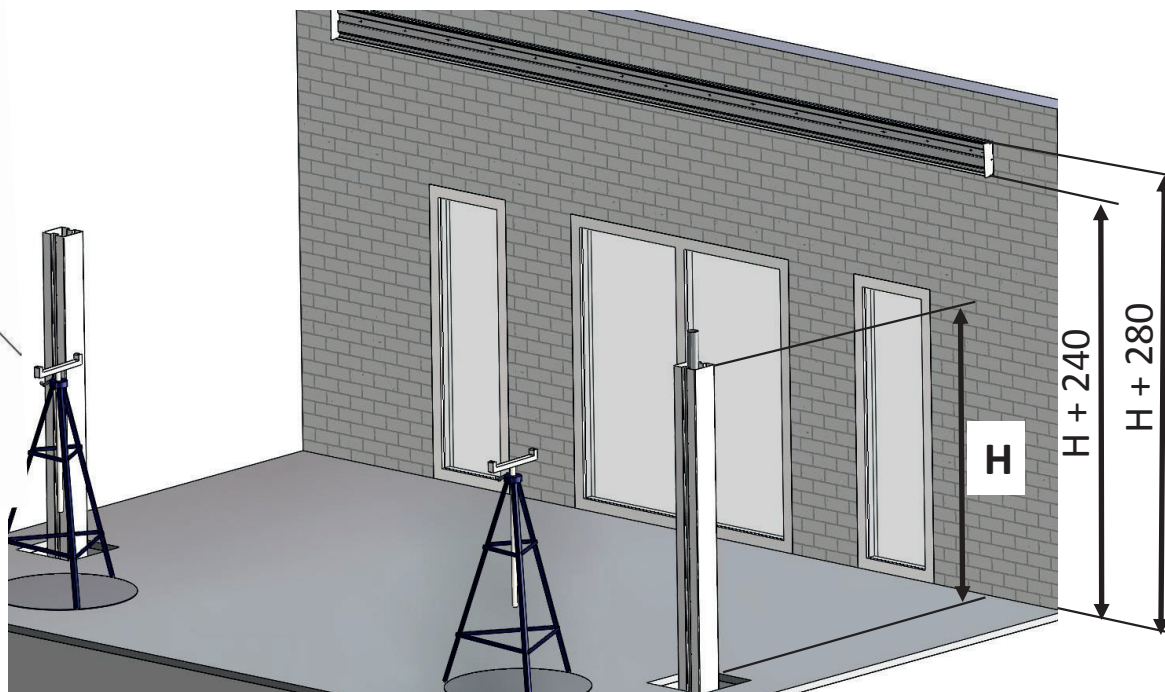
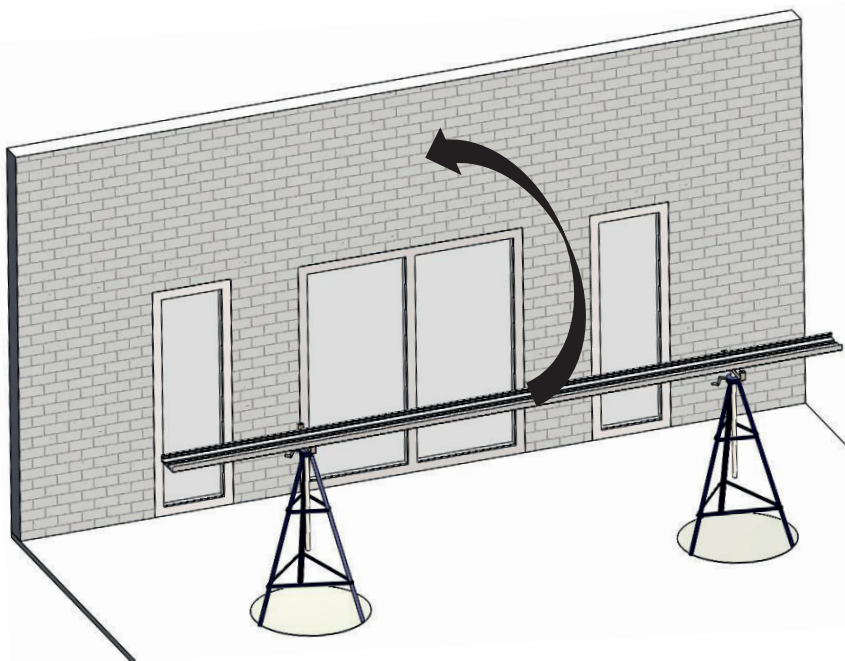
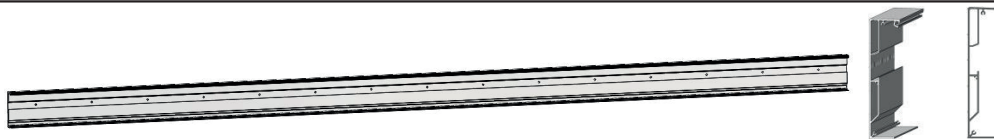


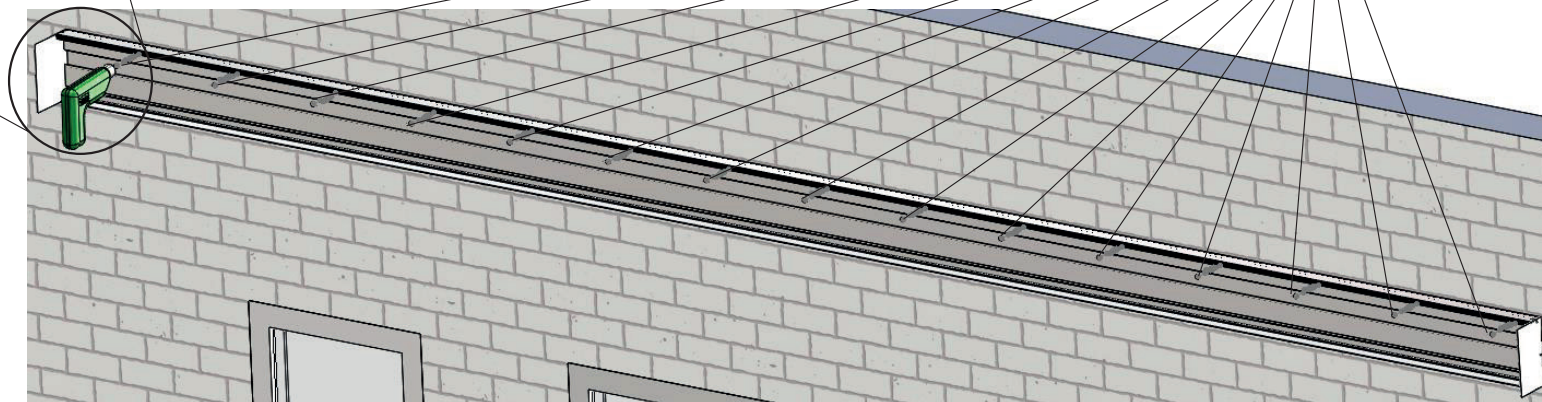
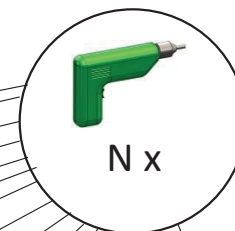
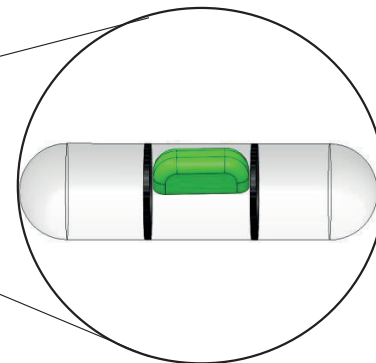
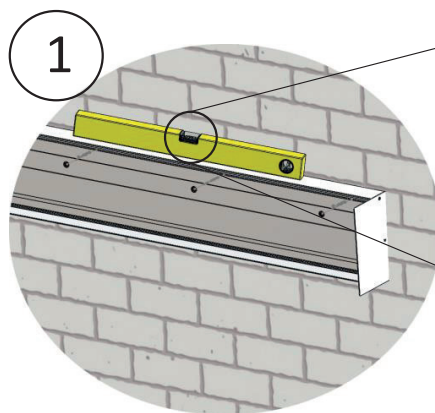
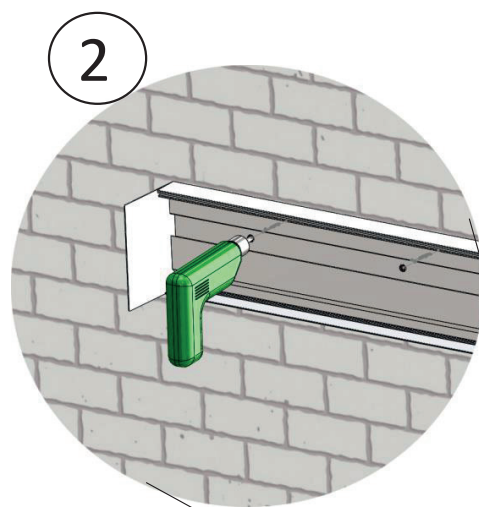
6 x 0390 SA 4,2 x 32



11

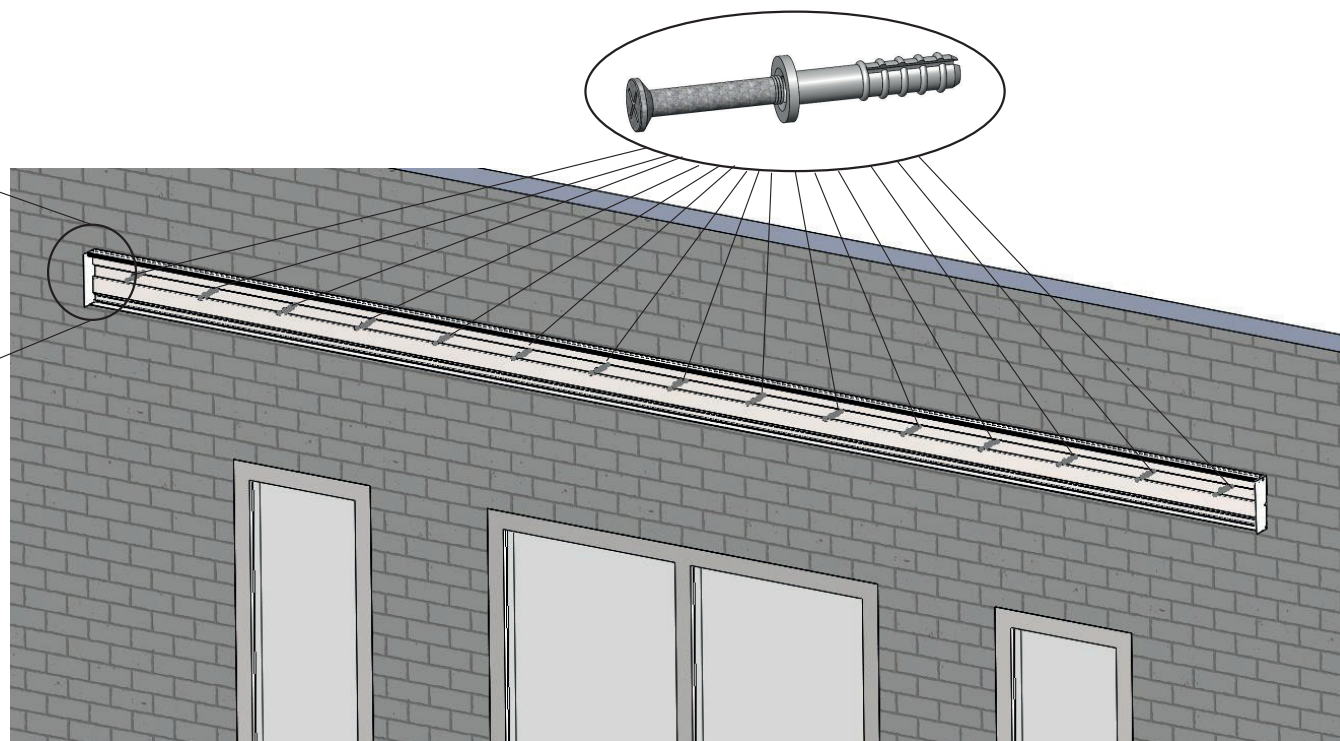
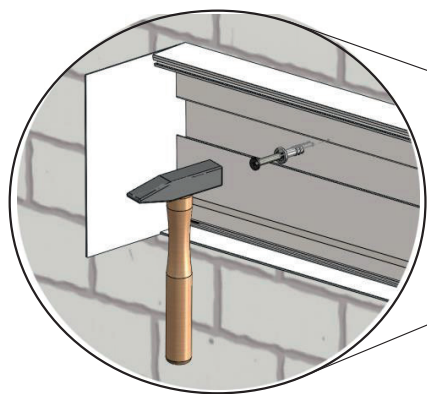
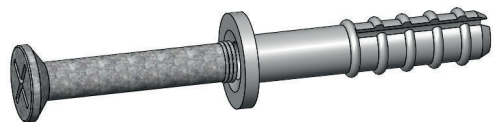
1 x 10006



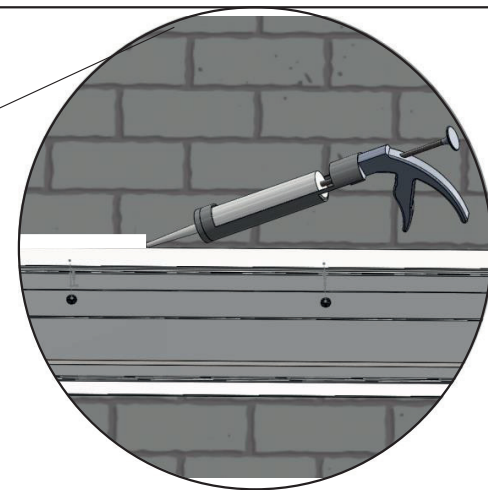
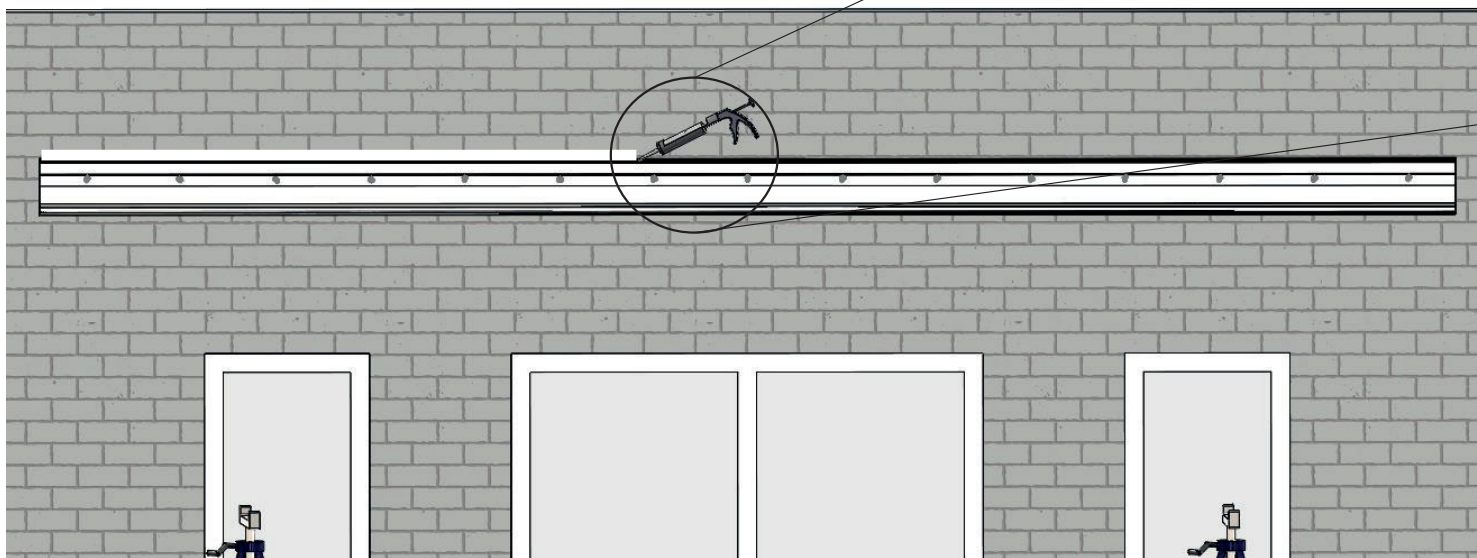


13

N x

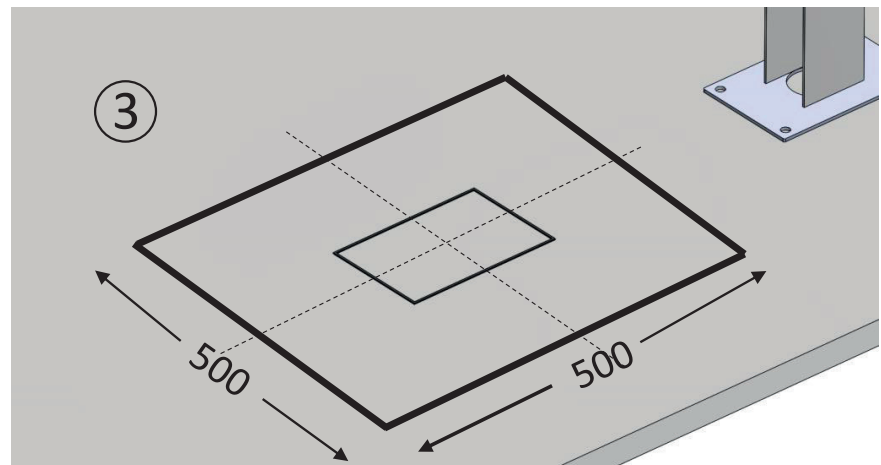
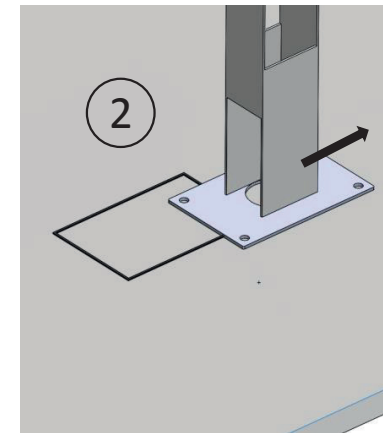
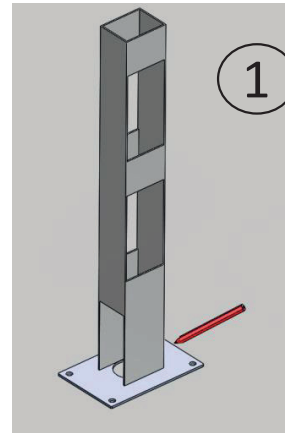
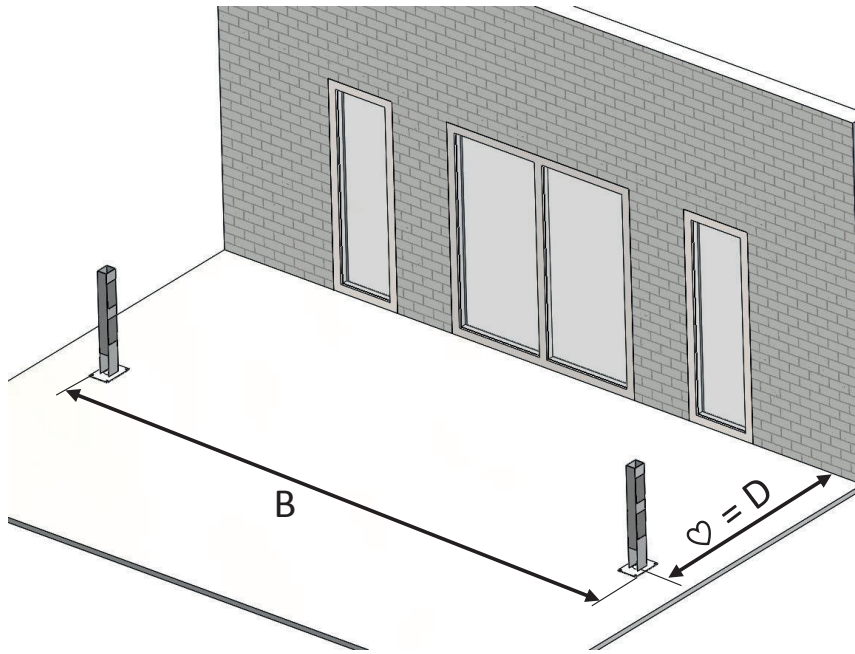
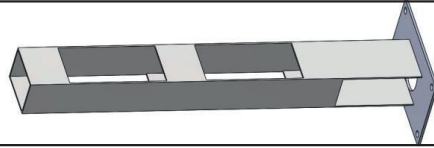


14



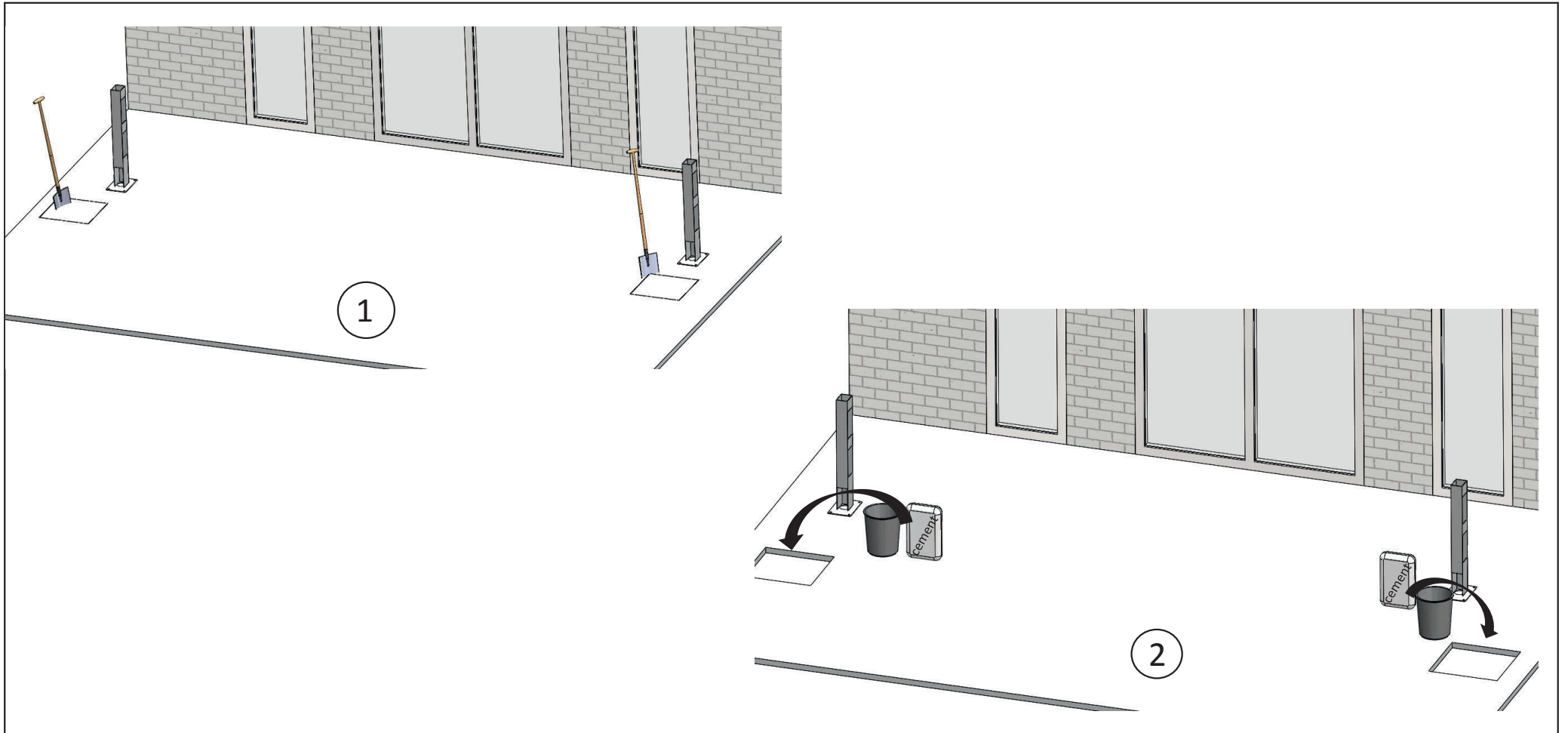
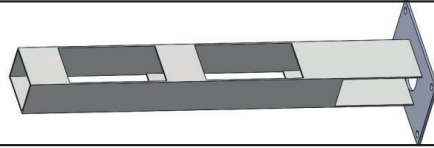
15

2 x



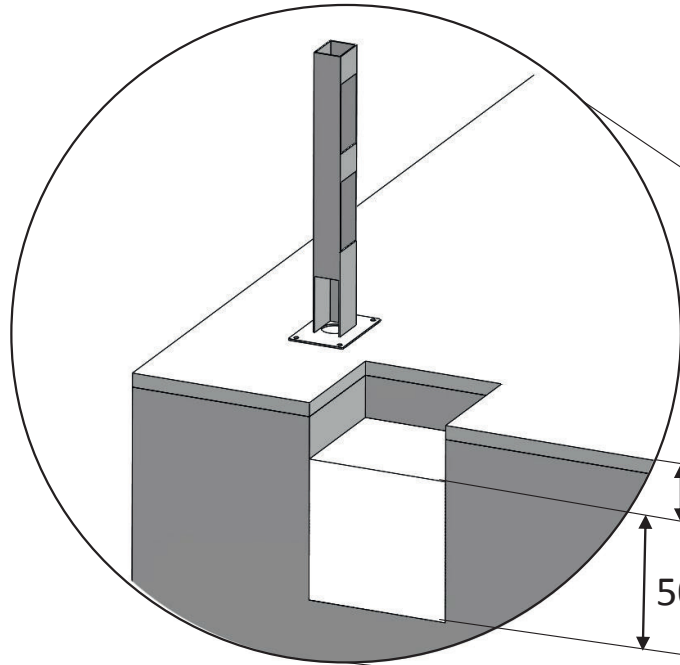
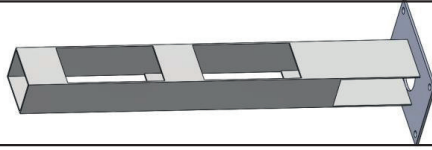
16

2 x

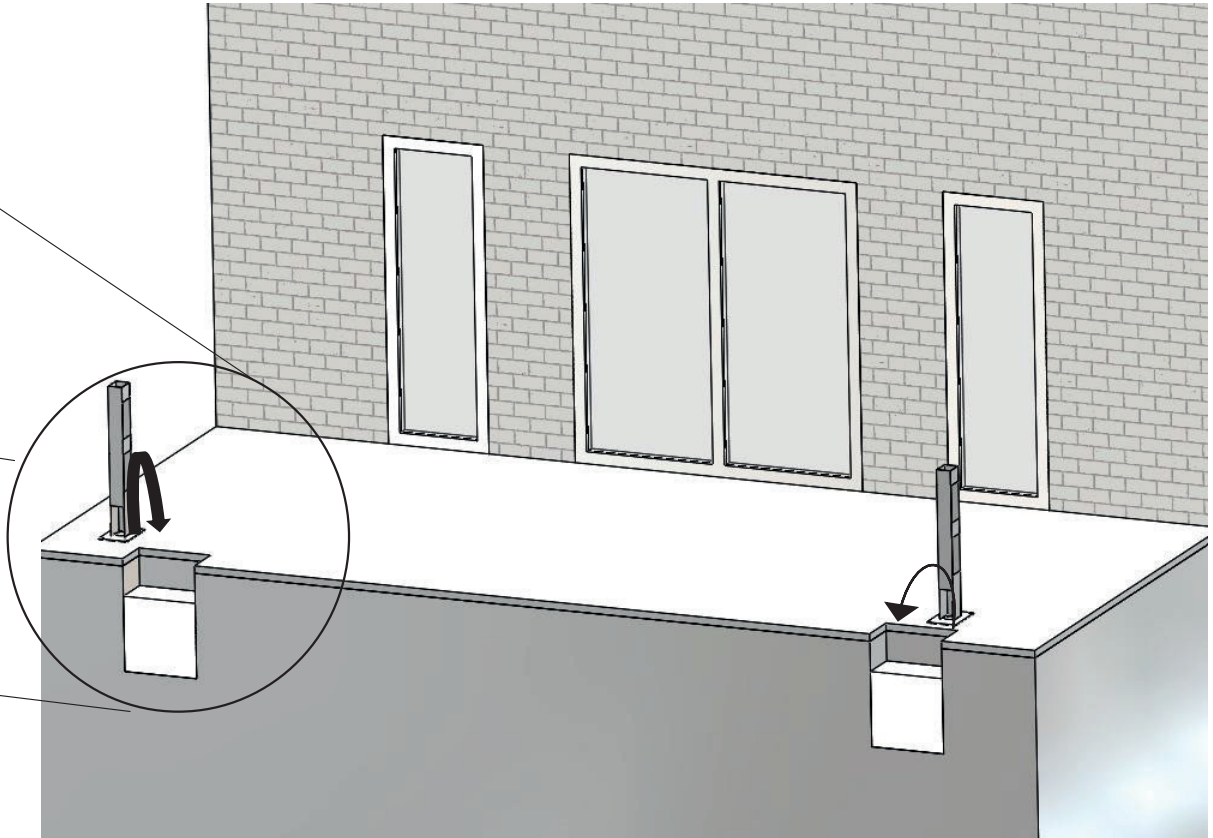


17

2 x

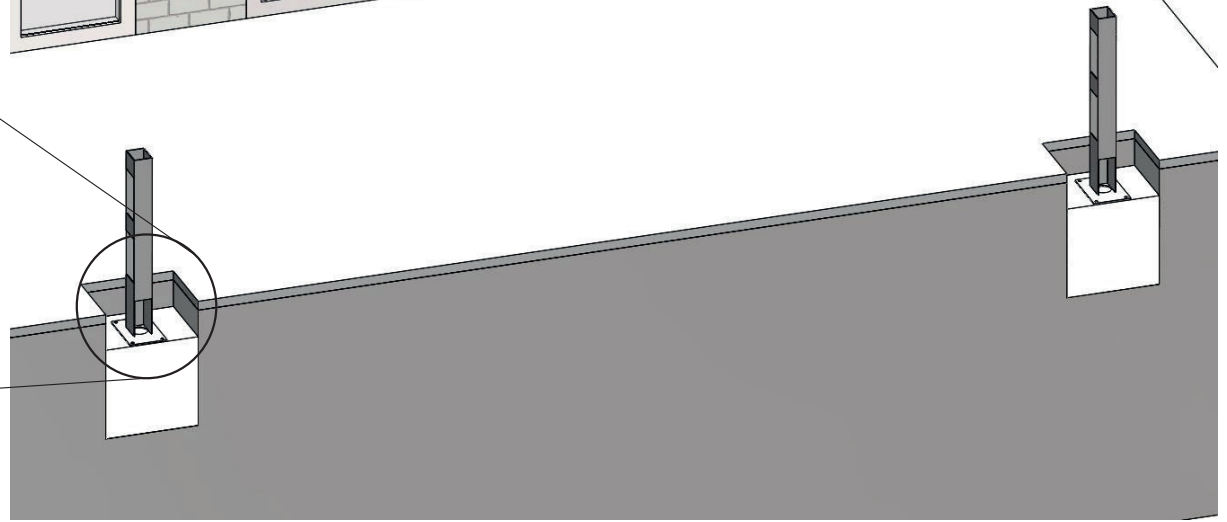
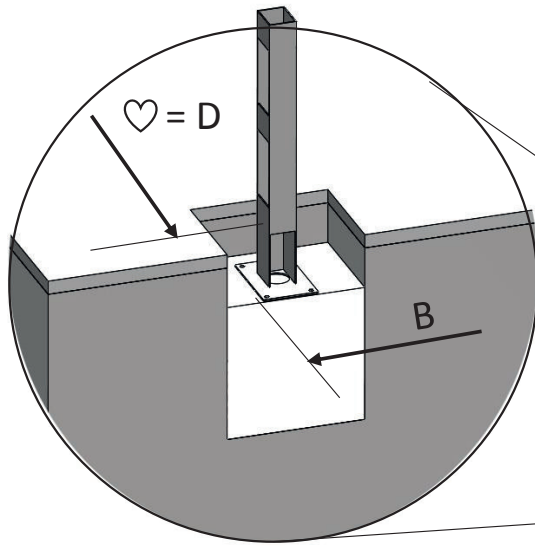
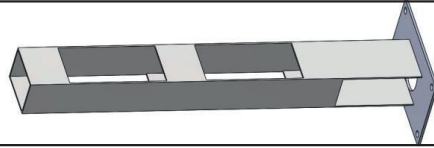


200
500



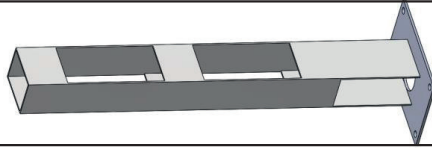
18

2 x

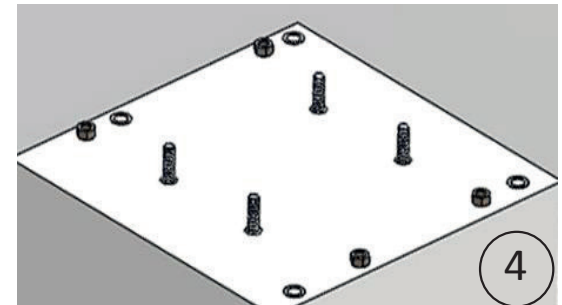
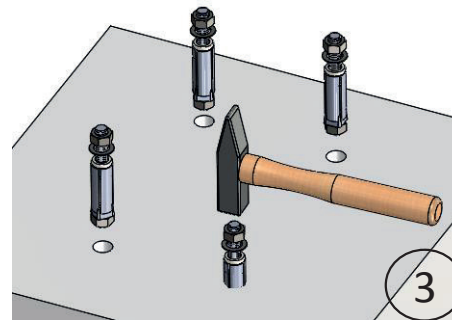
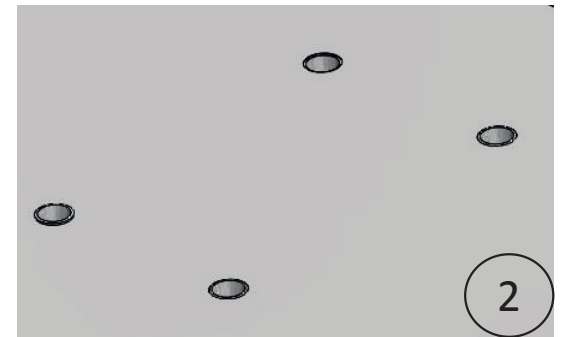
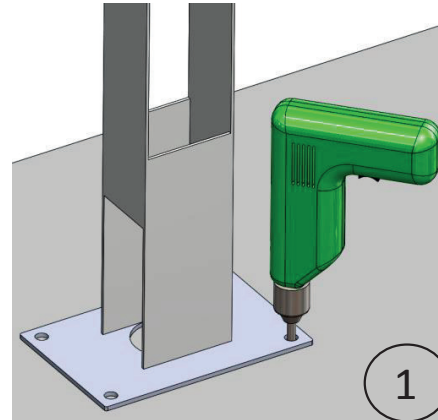
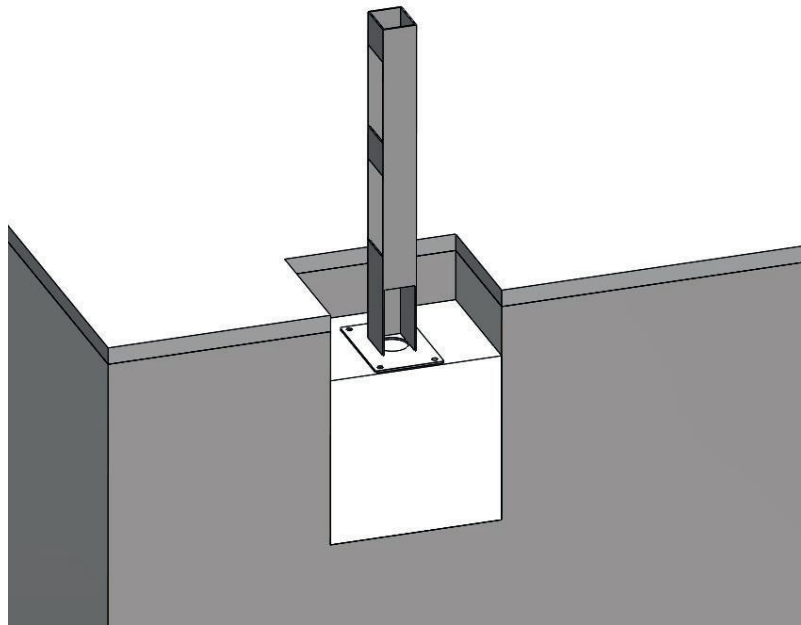
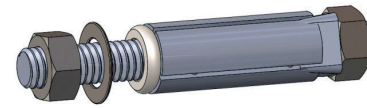


19

2 x

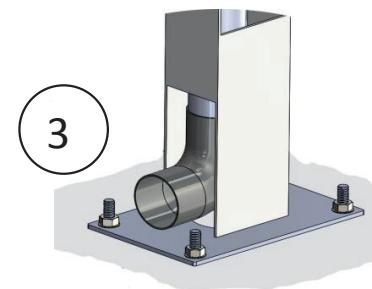
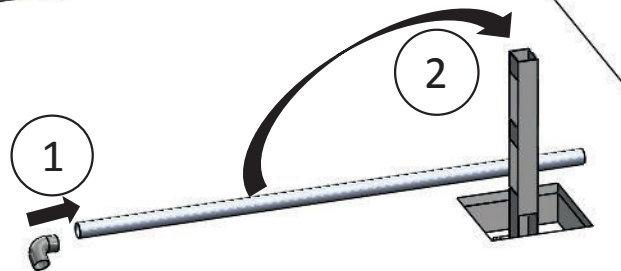
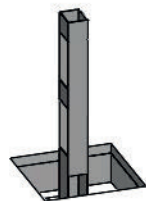
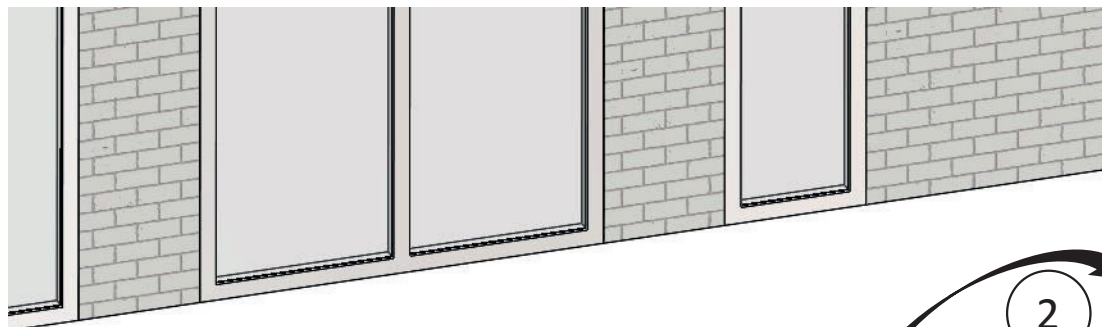
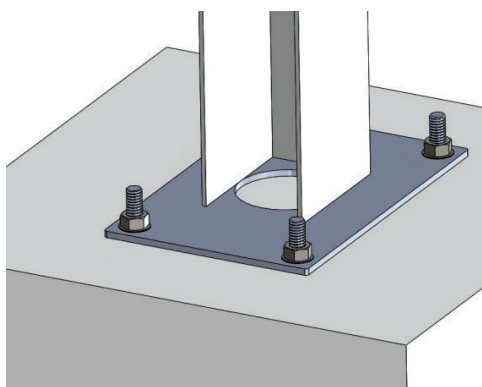
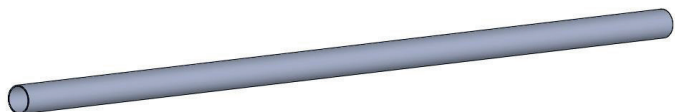


8 x



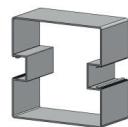
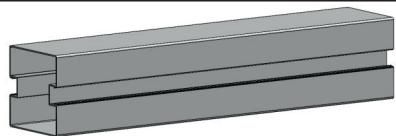
20

1 x

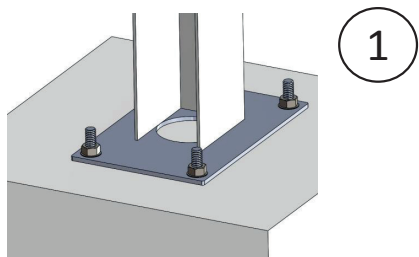


21

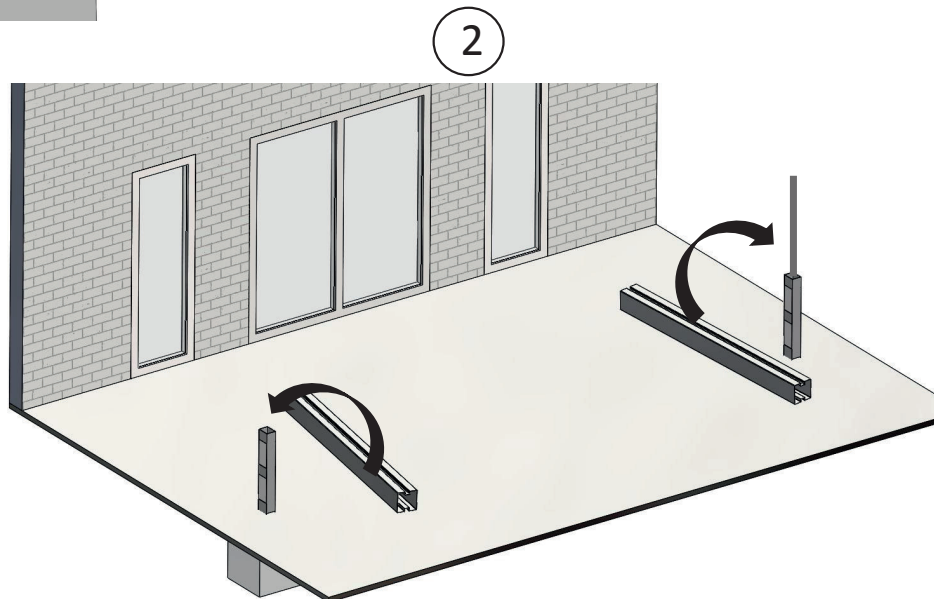
2 x



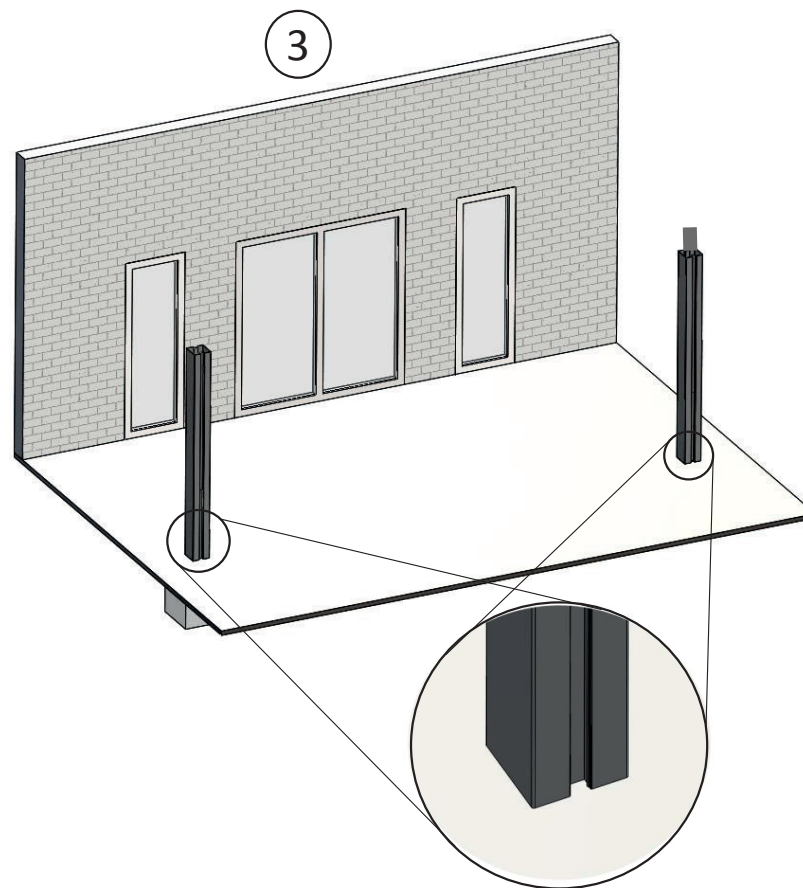
AL10001



1

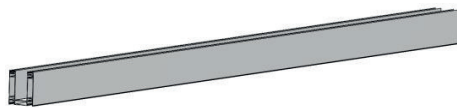


2

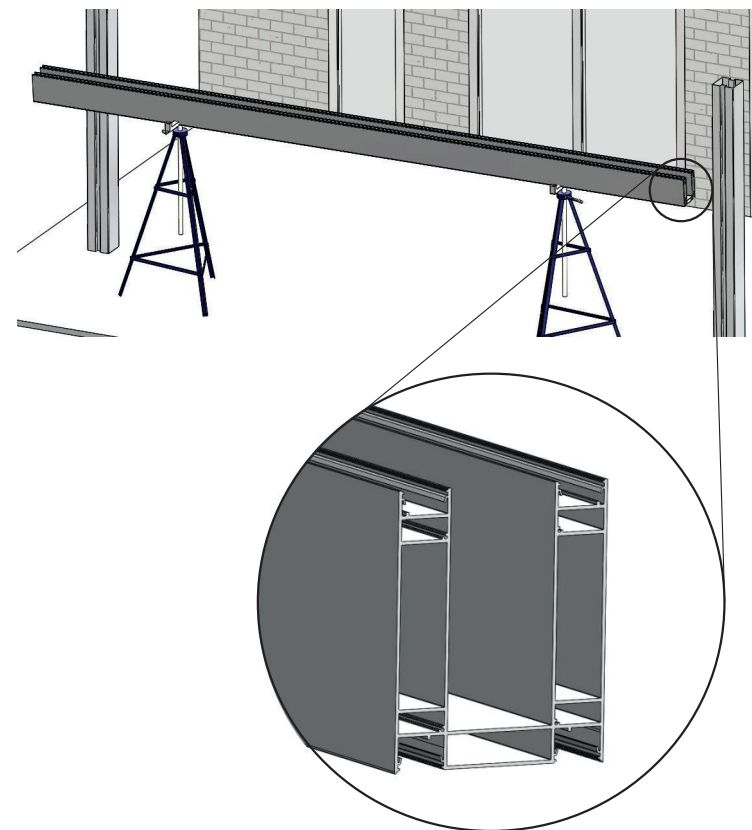
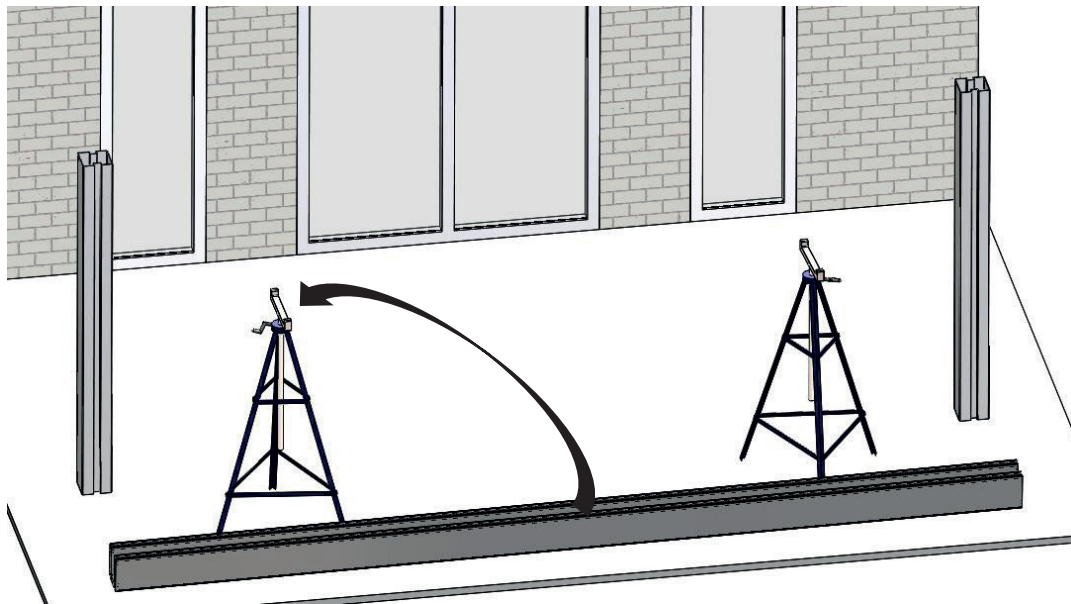


3

22

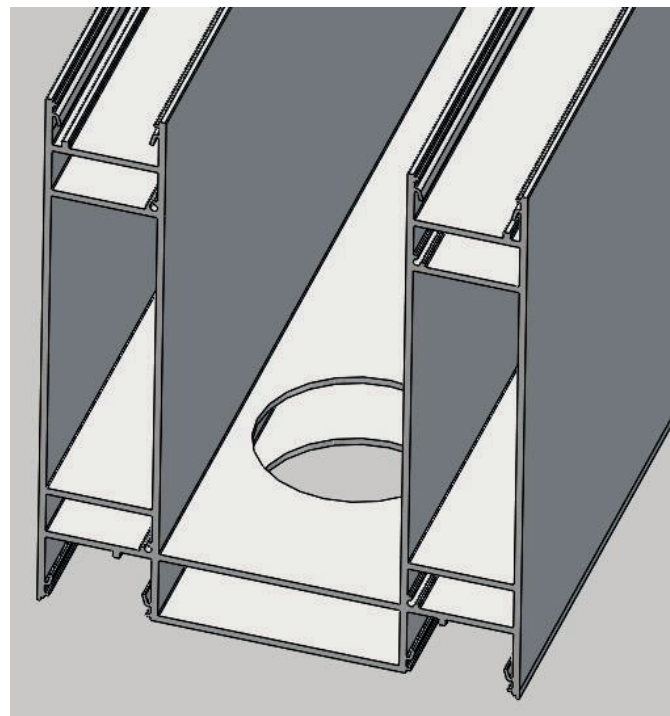
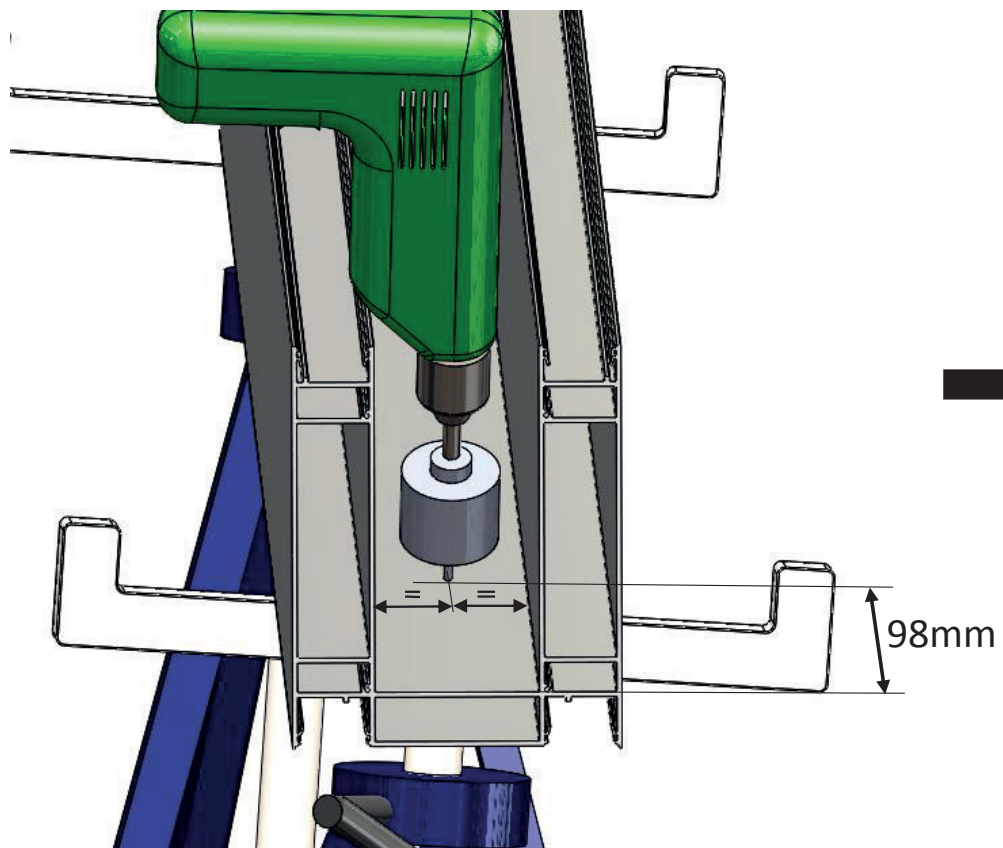
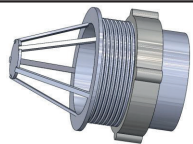


1 x AL10002



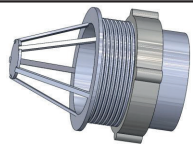
23

1 x

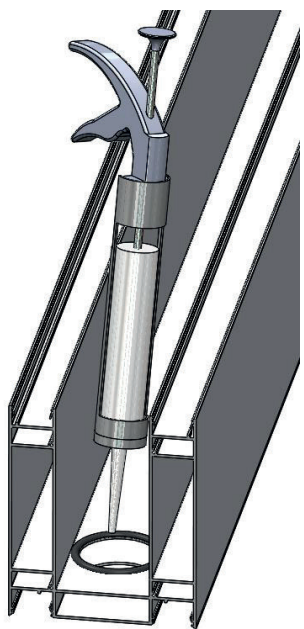


24

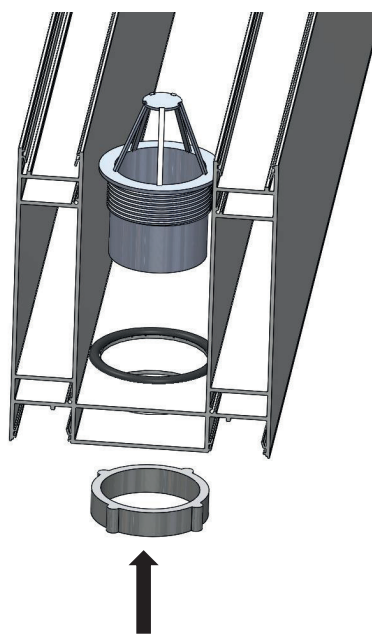
1 x



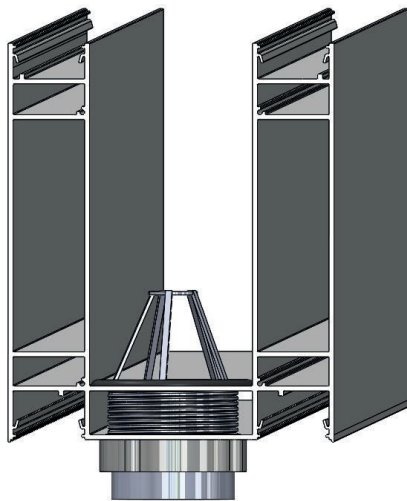
1



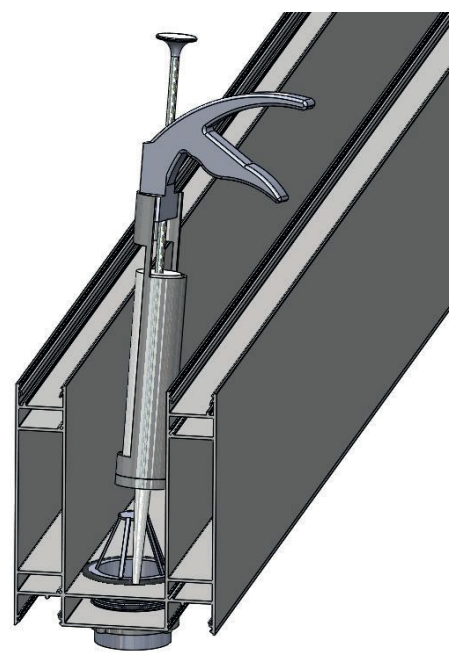
2



3



4

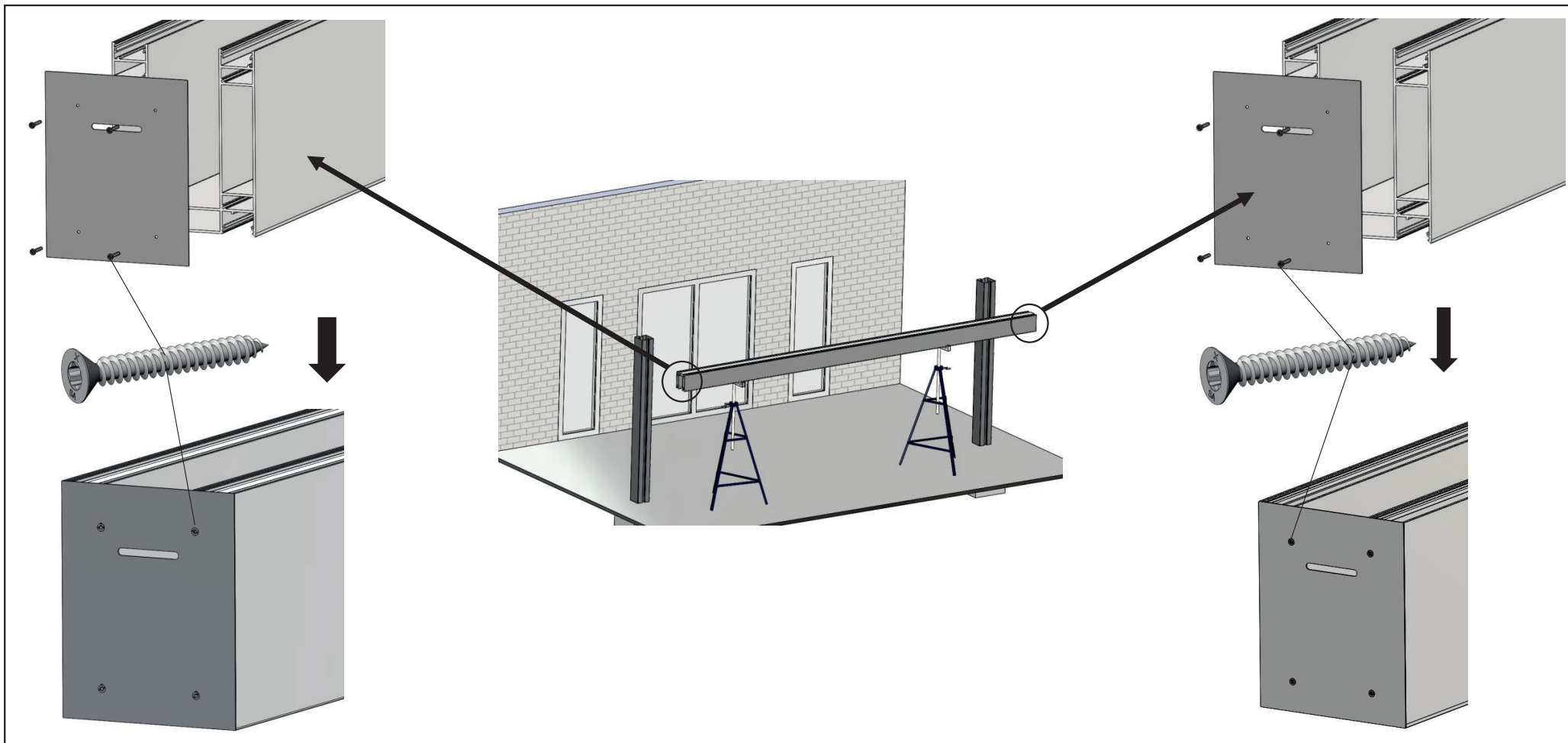


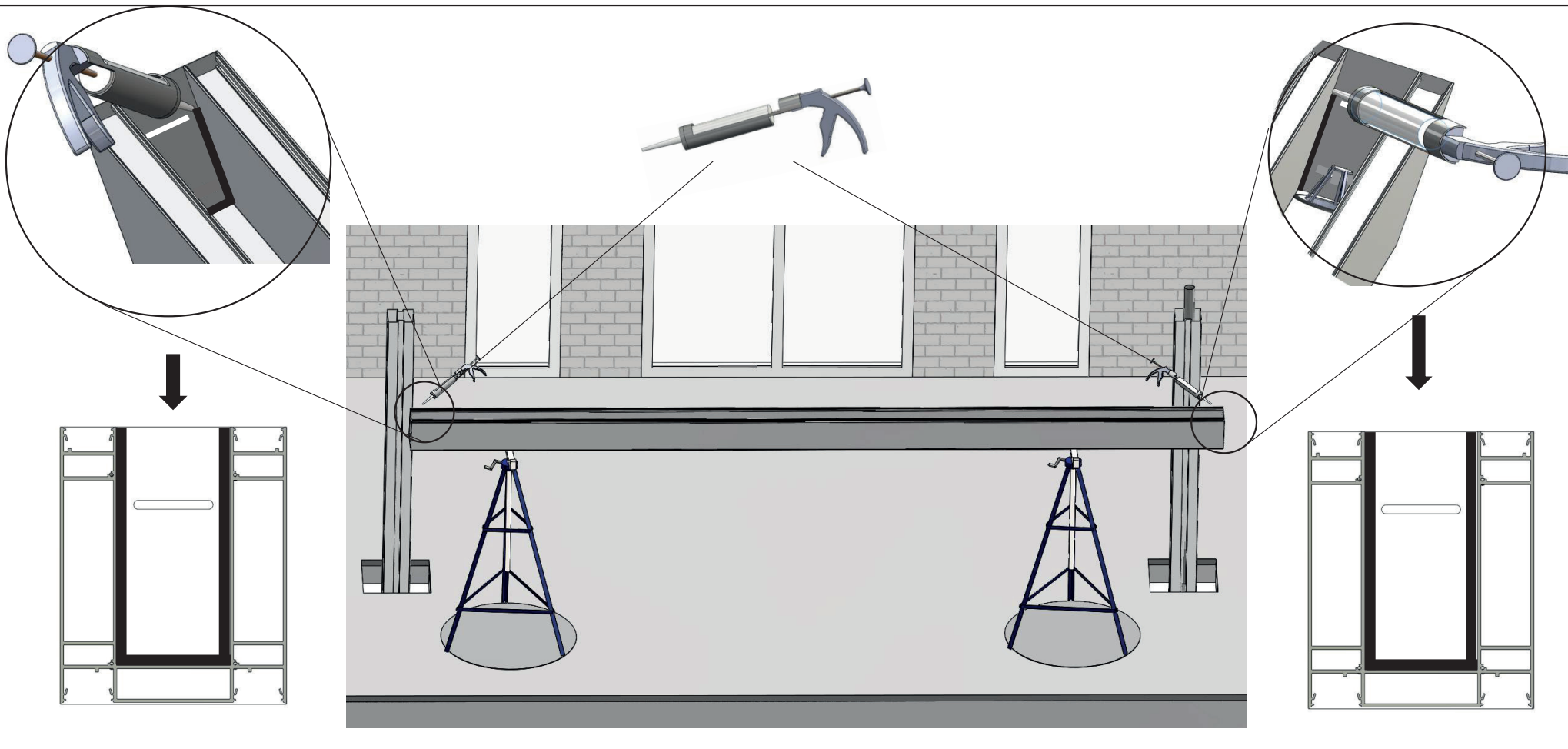
25

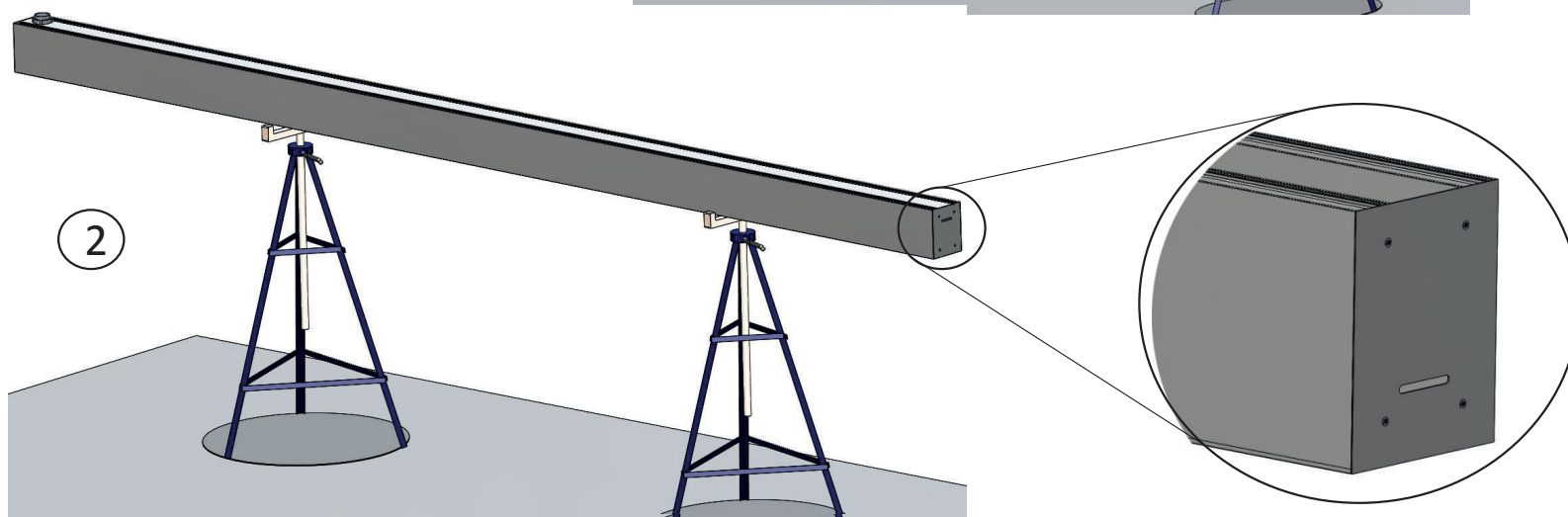
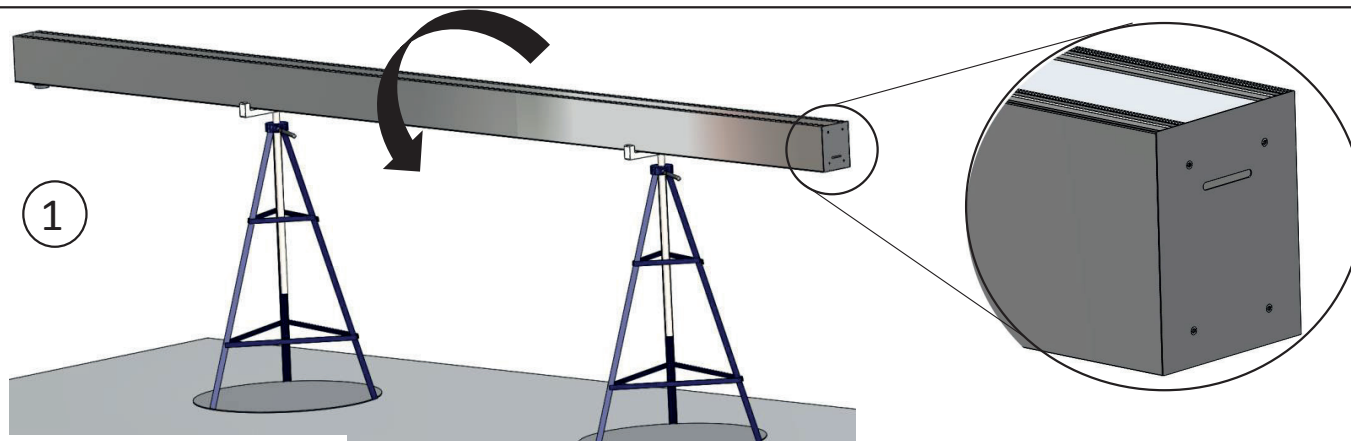
2 x UL-02



8 x 0390 SA 4,2 x 32

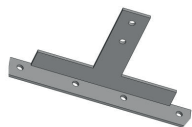






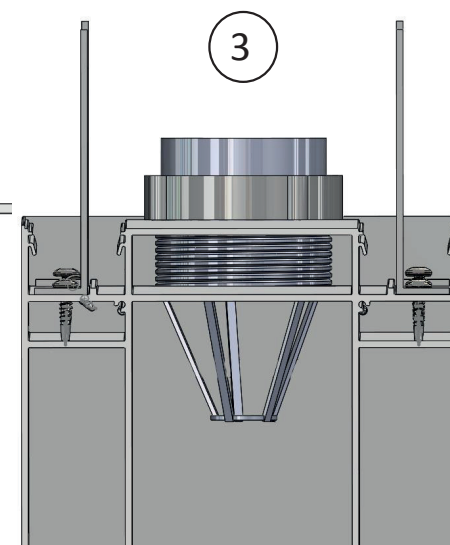
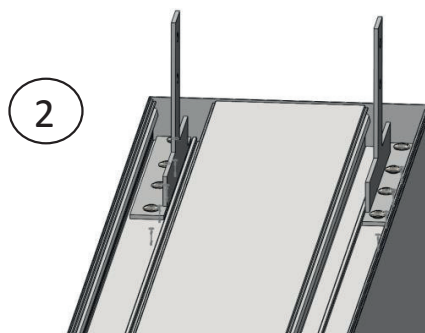
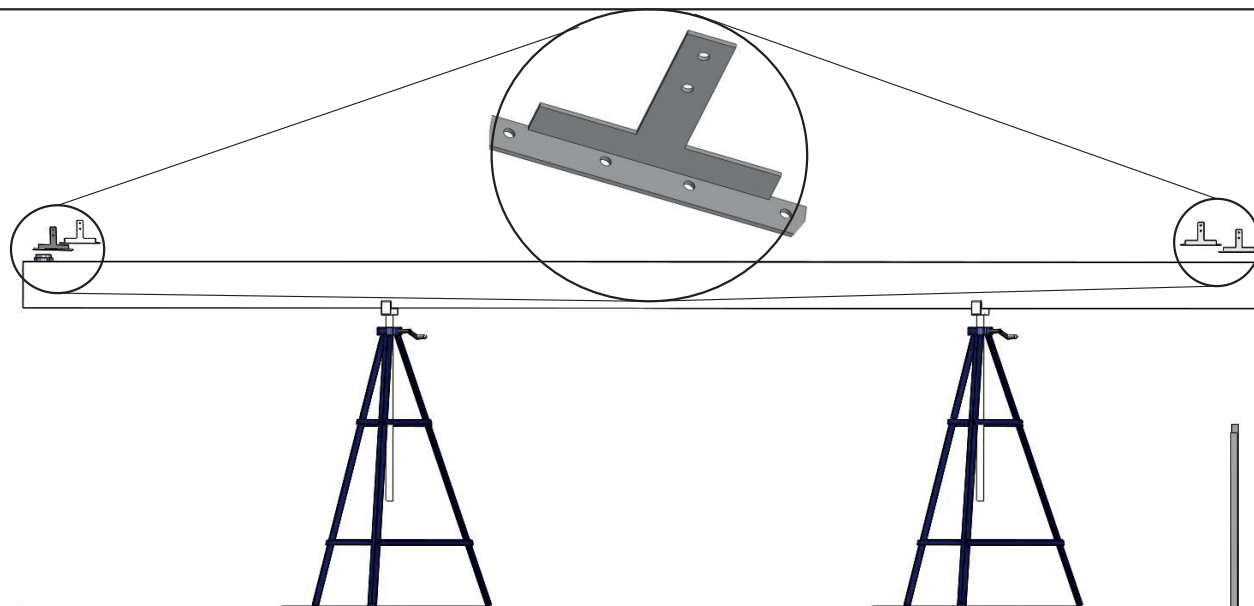
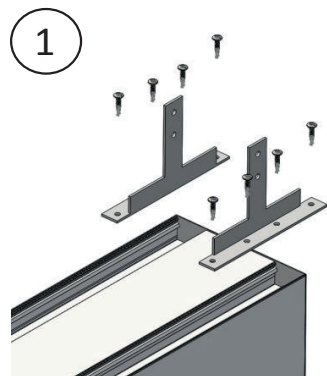
28

4 x



AL10010

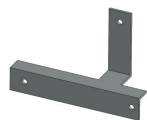
16 x



29

AL10009A en AL10009B

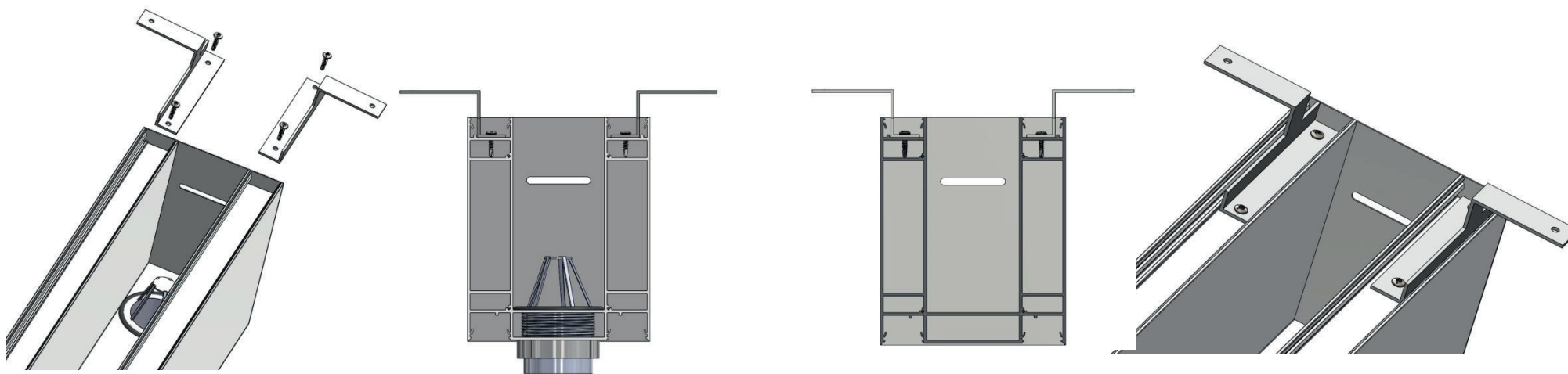
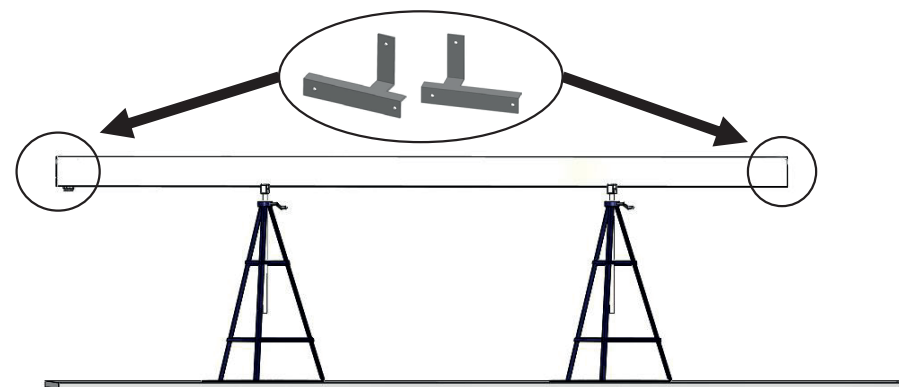
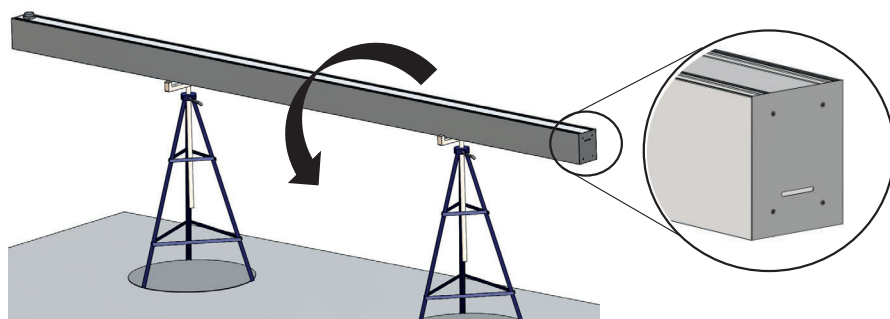
2 x

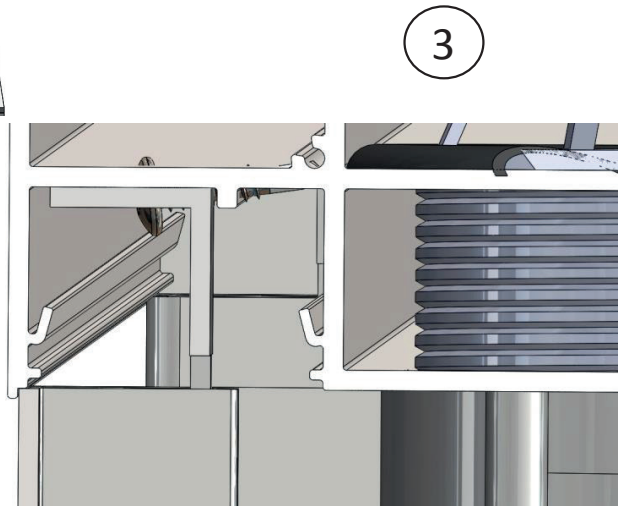
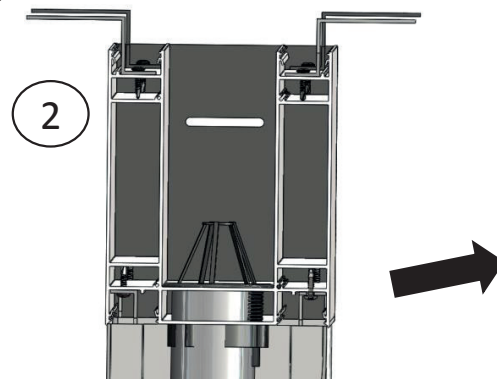
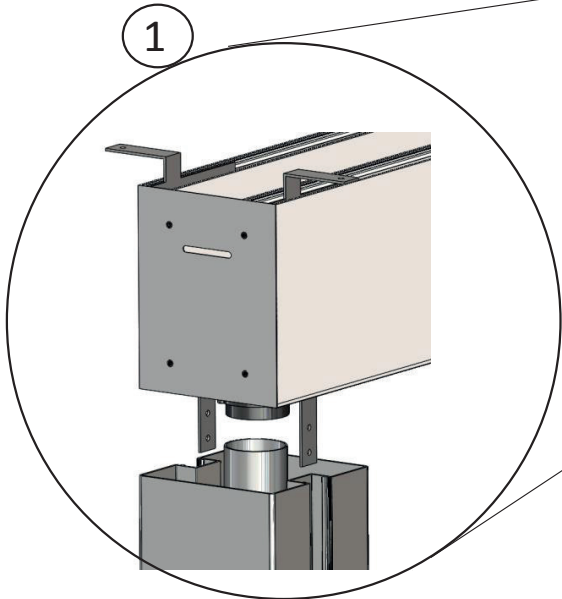
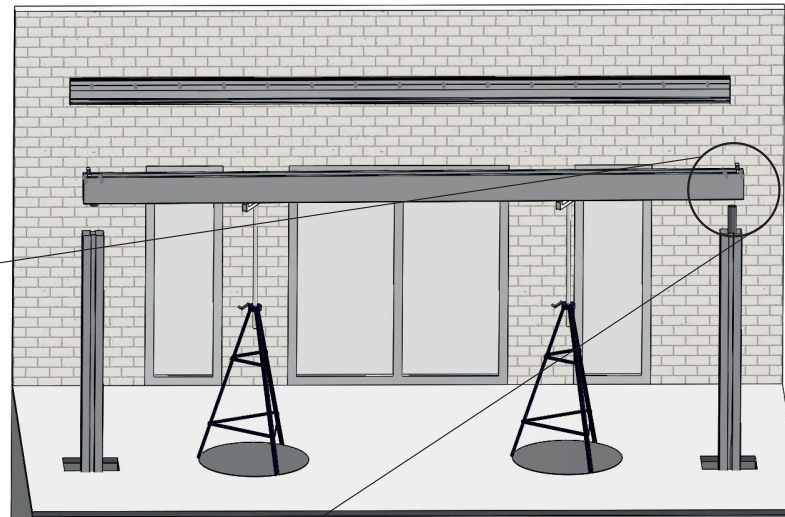


2 x



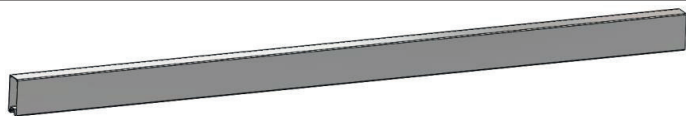
8 x 303 BI 5,5 x 25





31

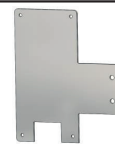
2 x AL10003



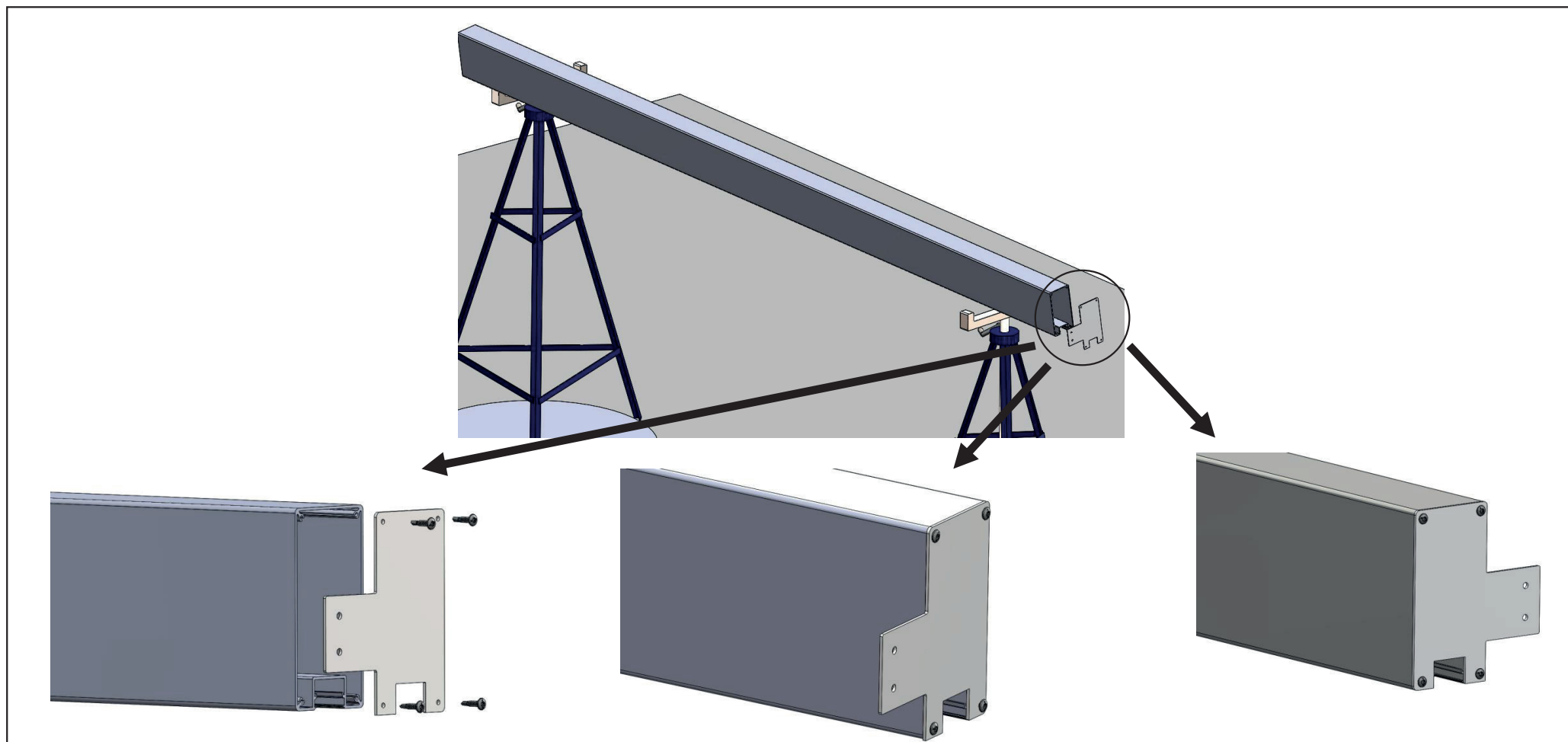
1 x



1 x

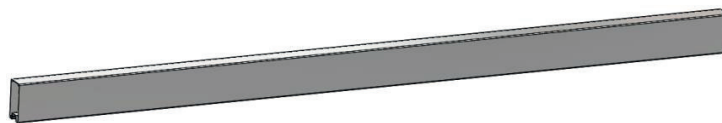


8 x



32

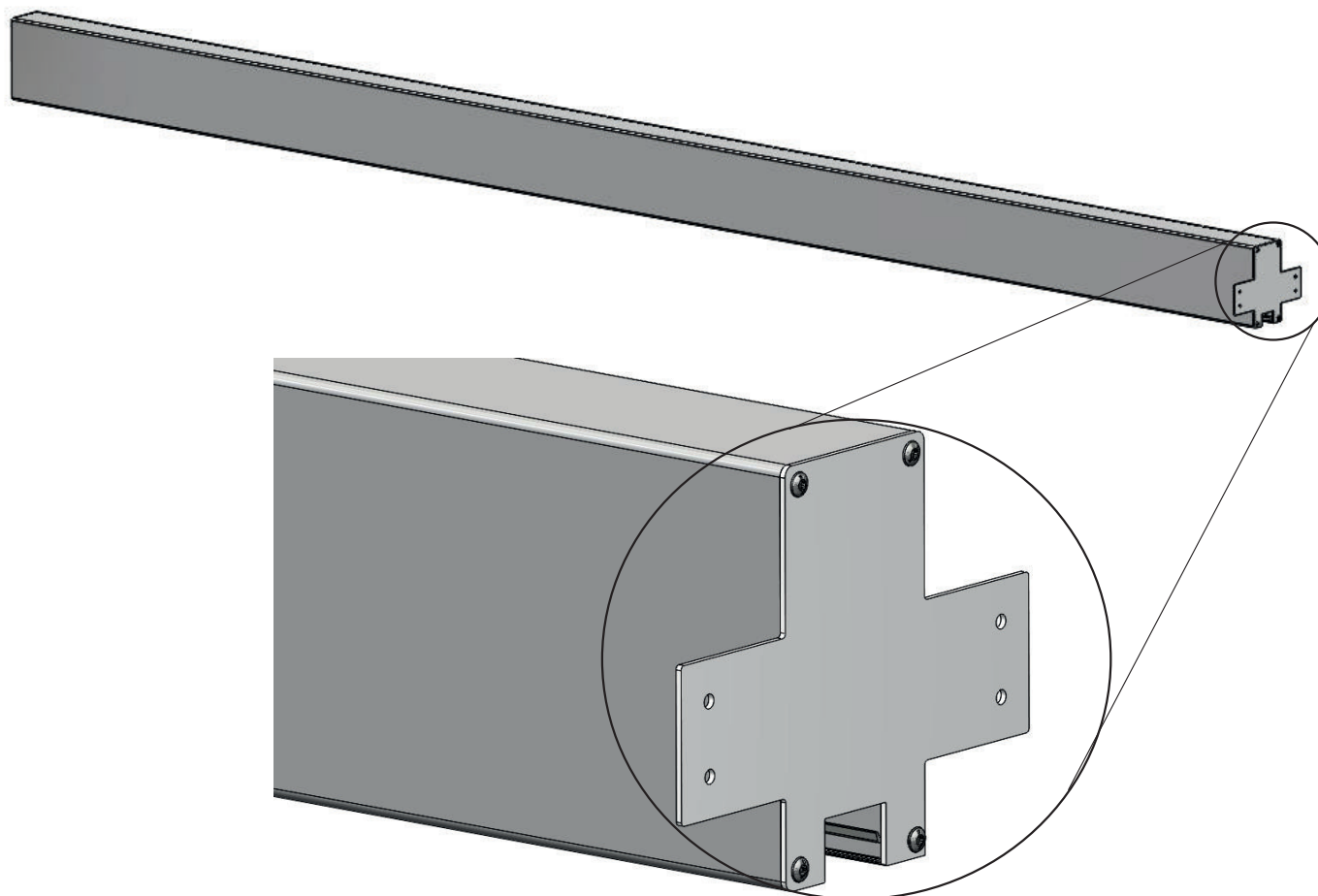
N x AL10003



N x

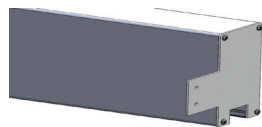


N x

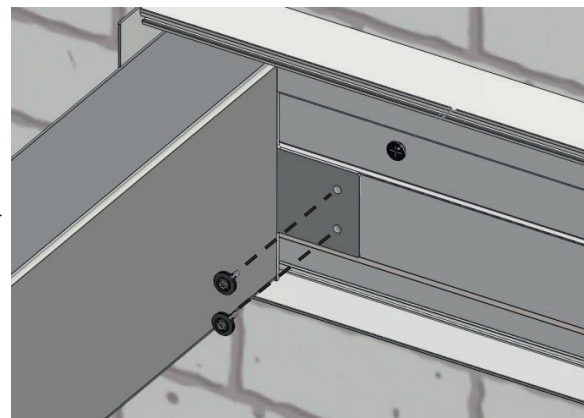
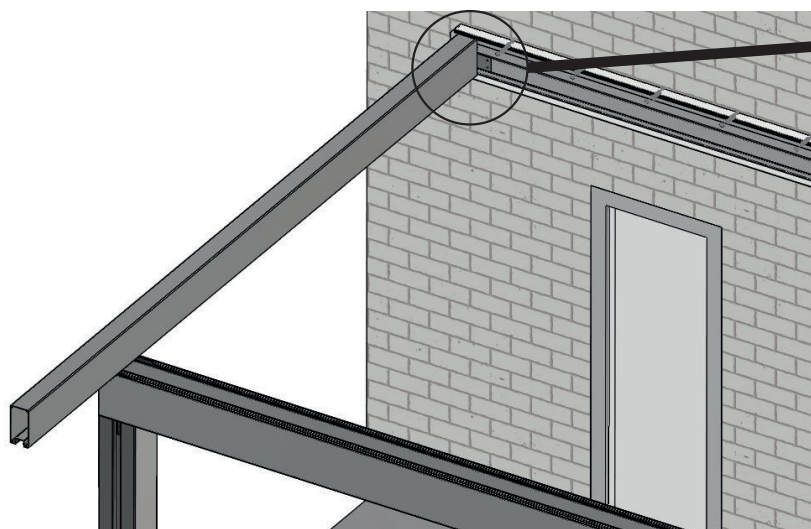
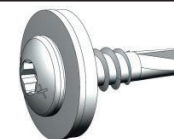


33

1 x AL10003 + 0300



2 x

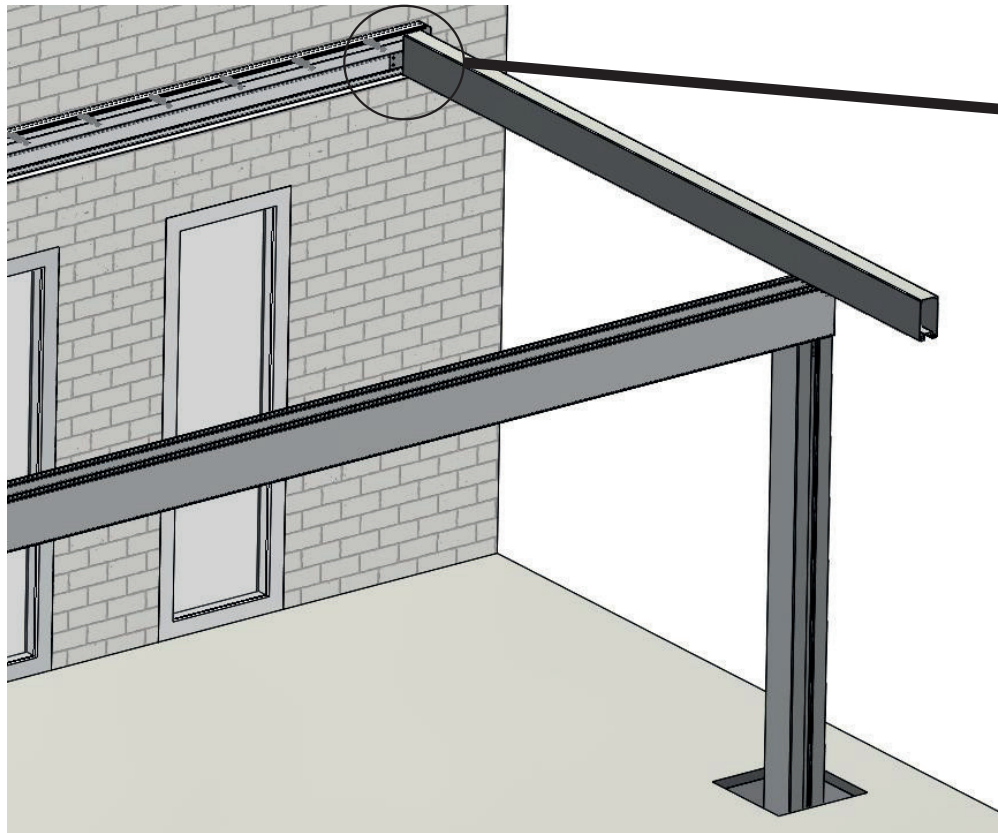
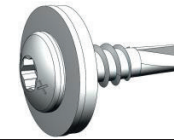


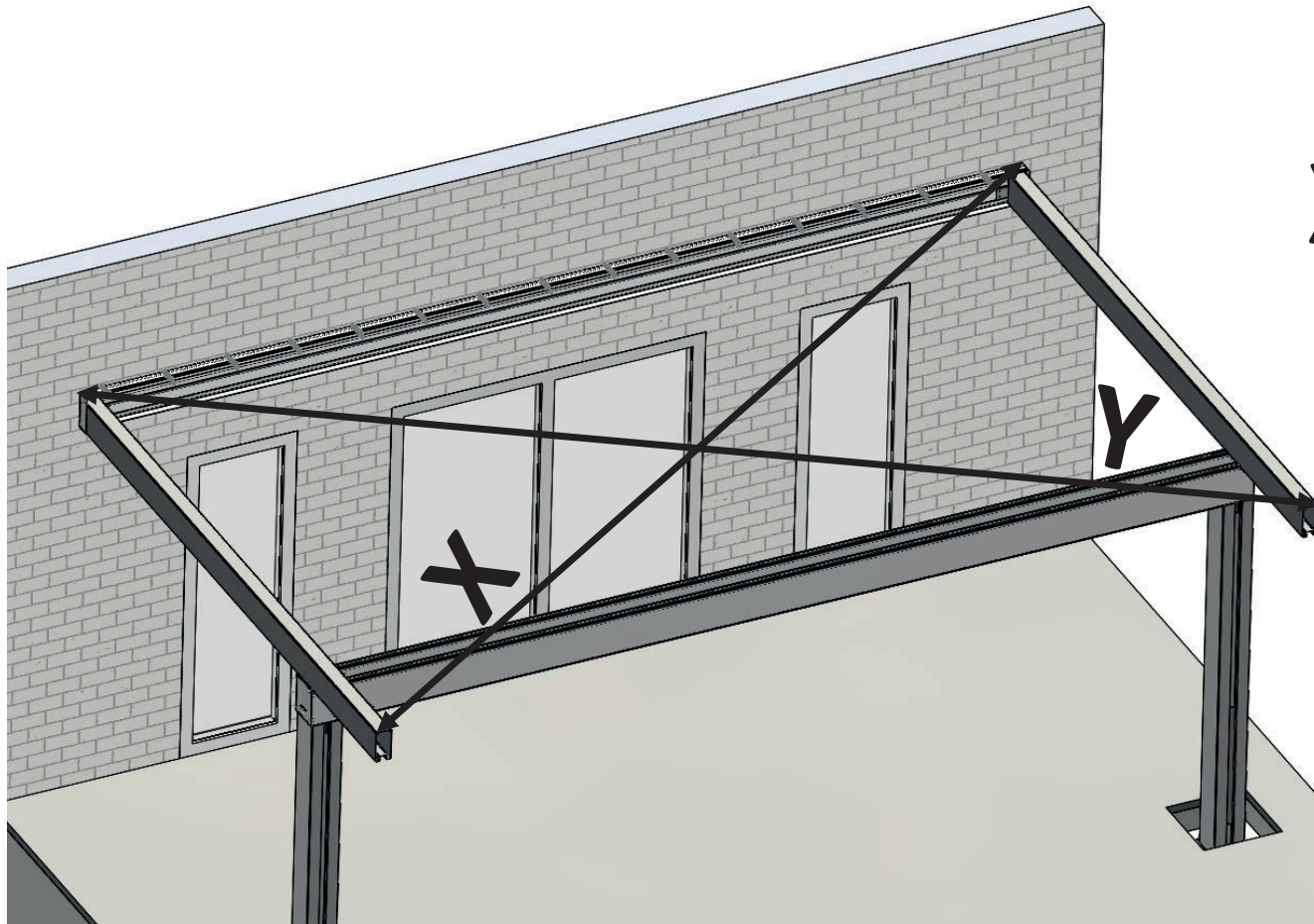
34

1 x AL10003 + 0300



2 x

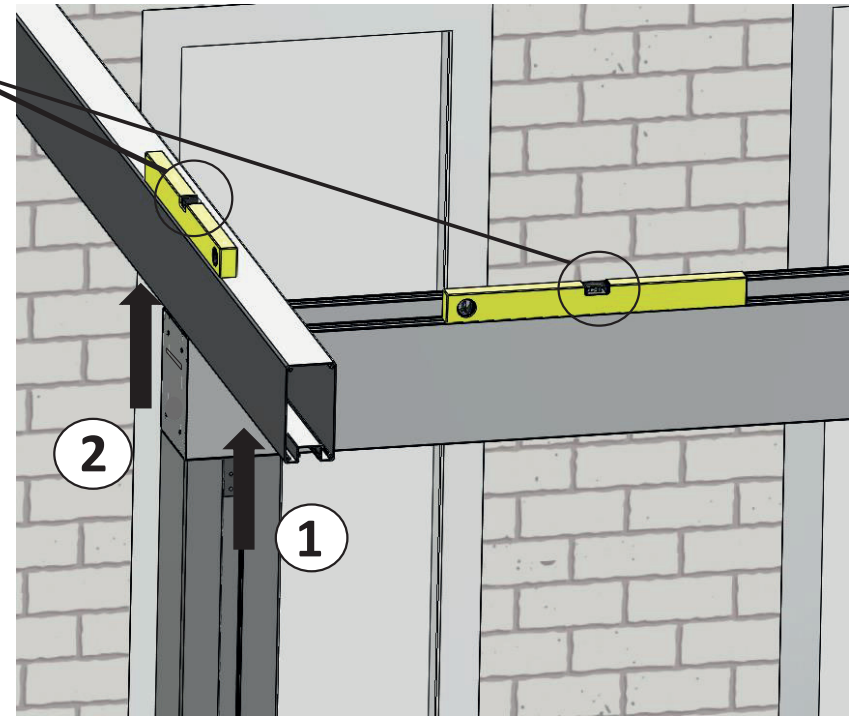
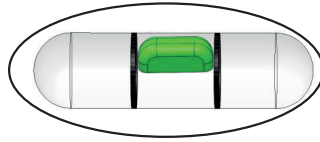
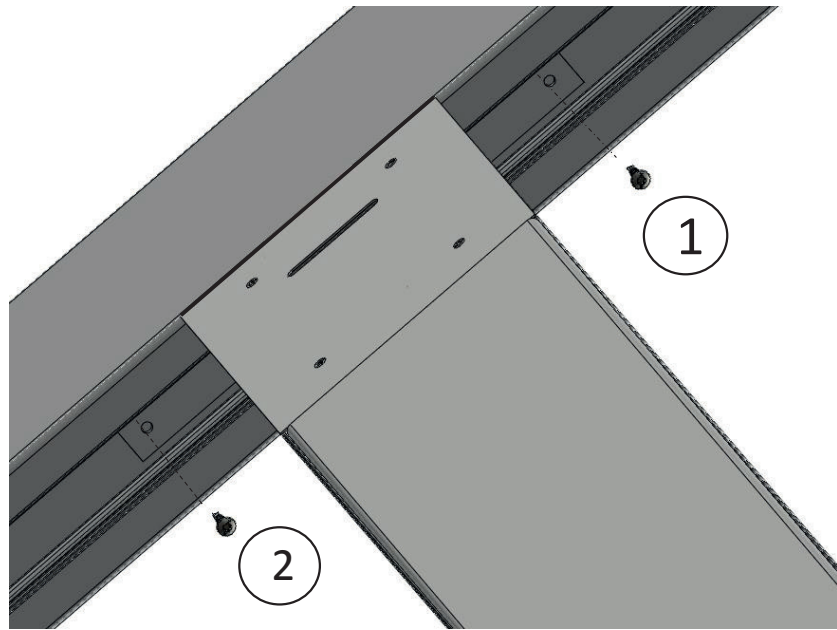
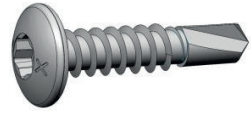




$$X = Y$$

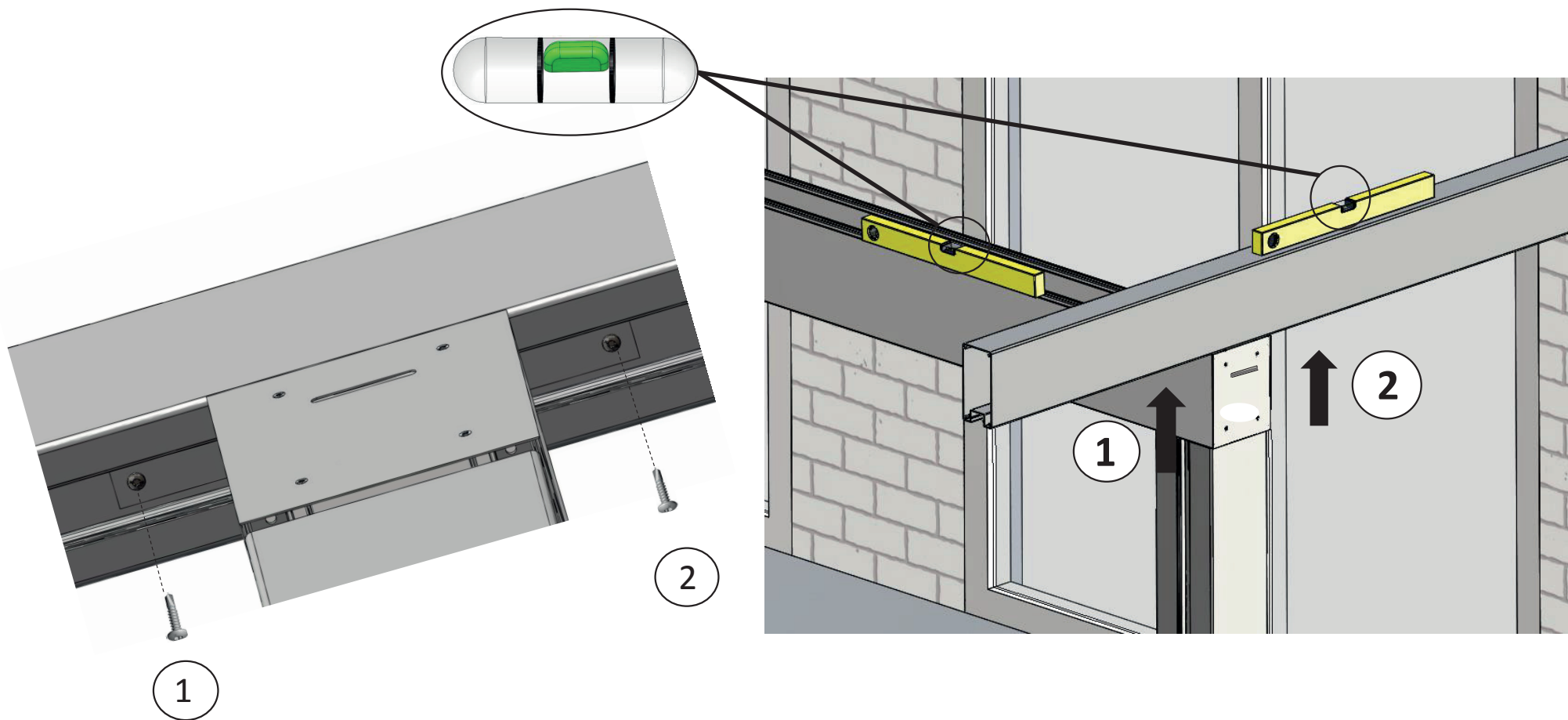
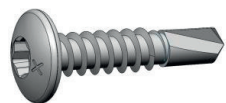
36

2 x



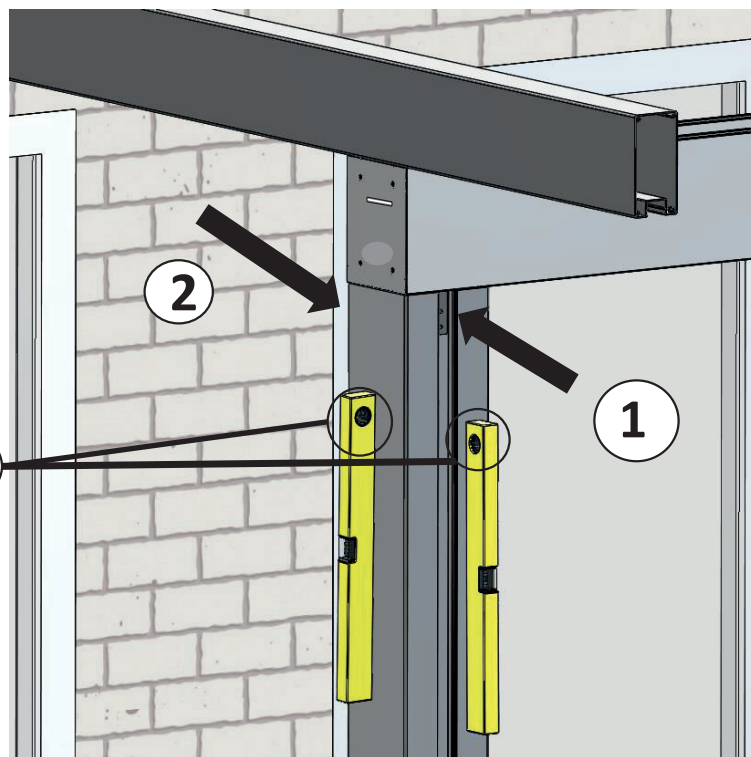
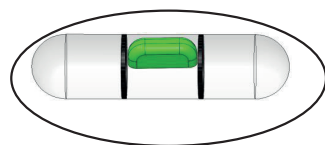
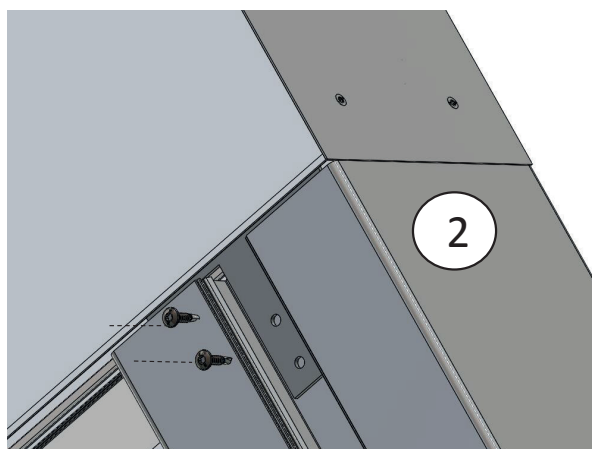
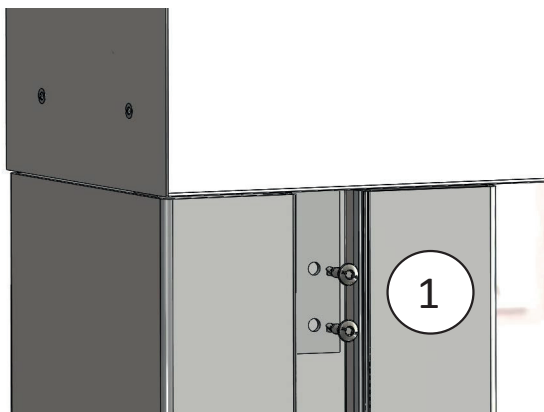
37

2 x



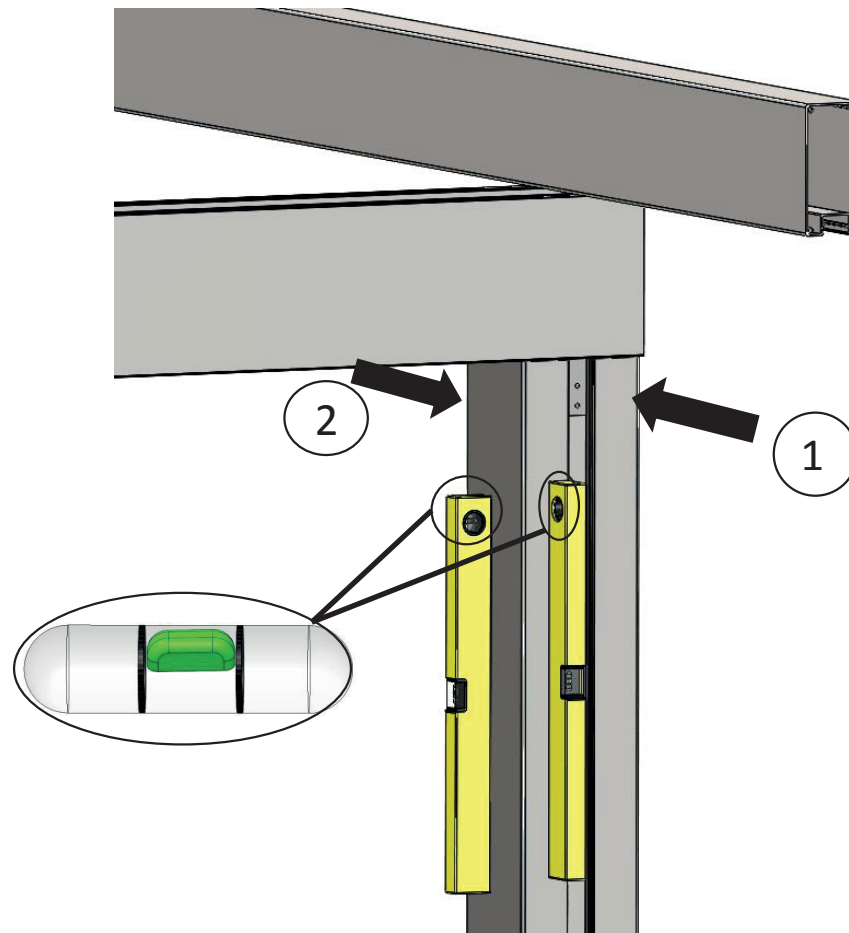
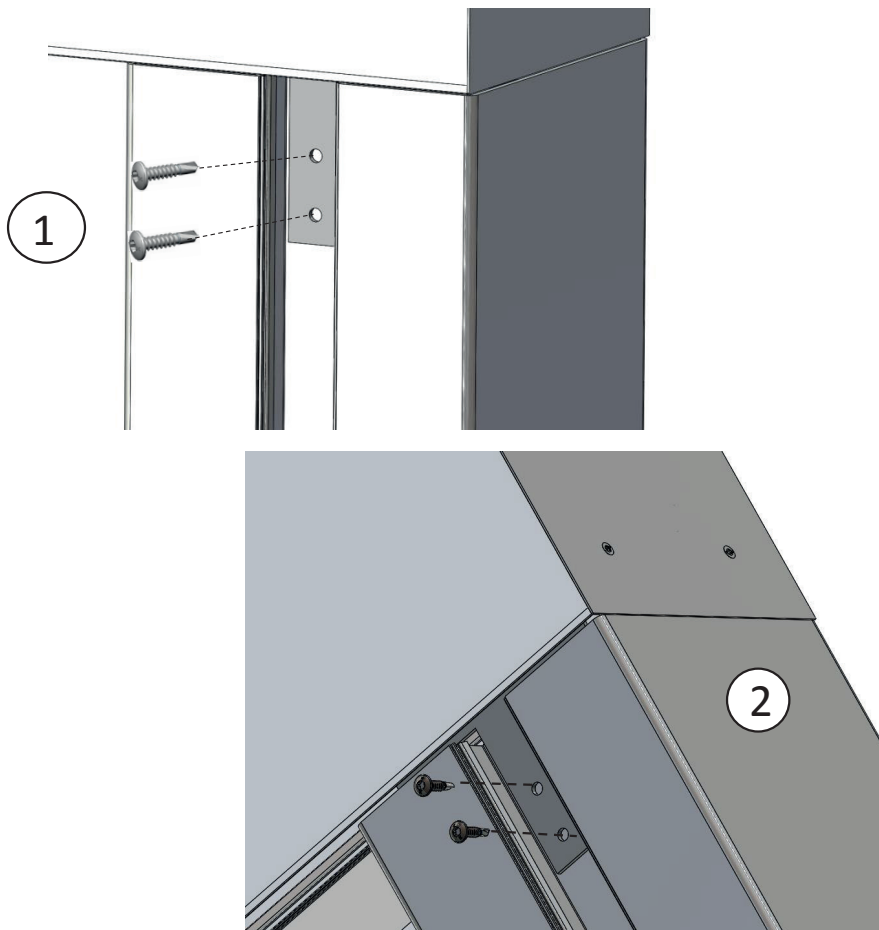
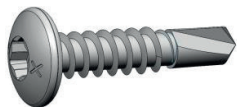
38

4 x



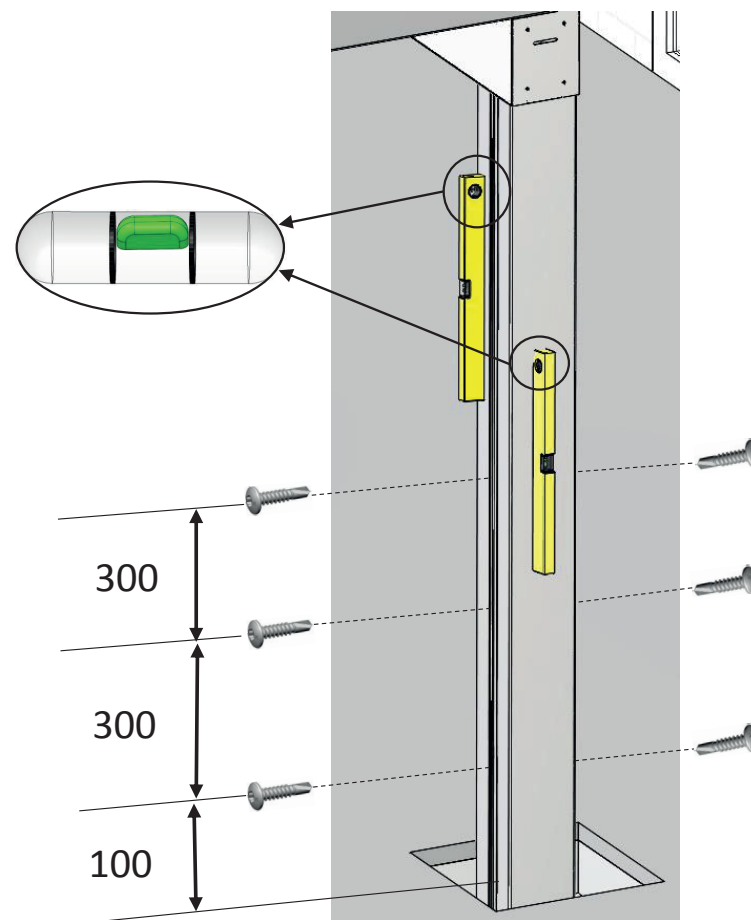
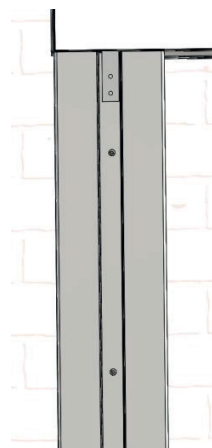
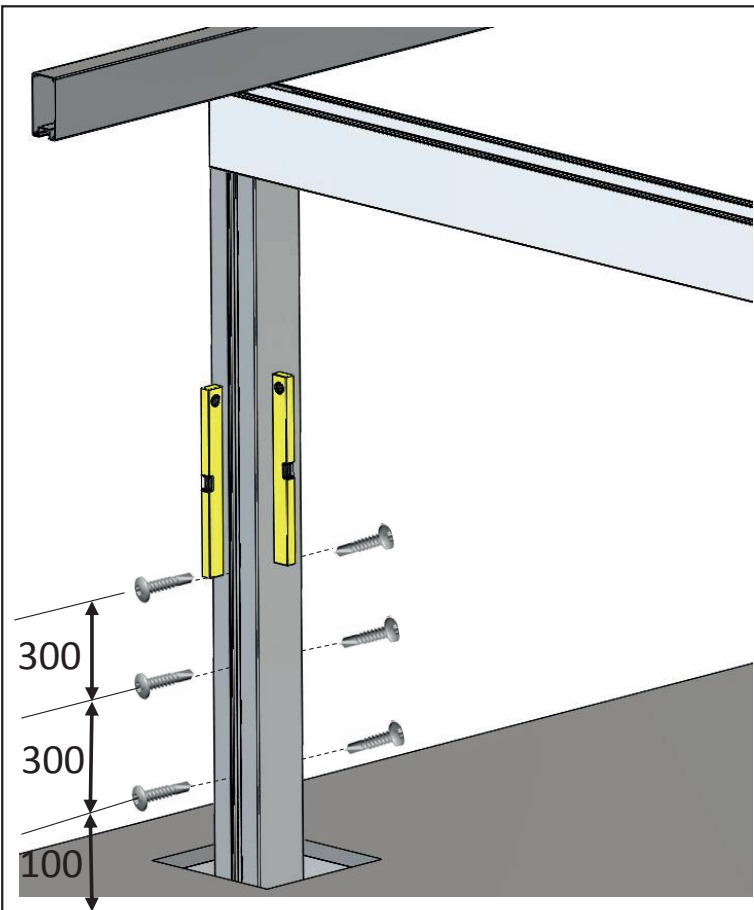
39

4 x



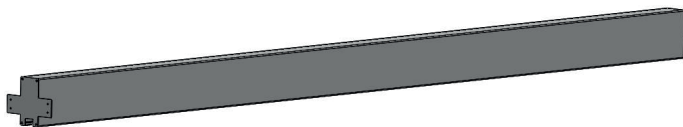
40

12 x

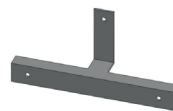


41

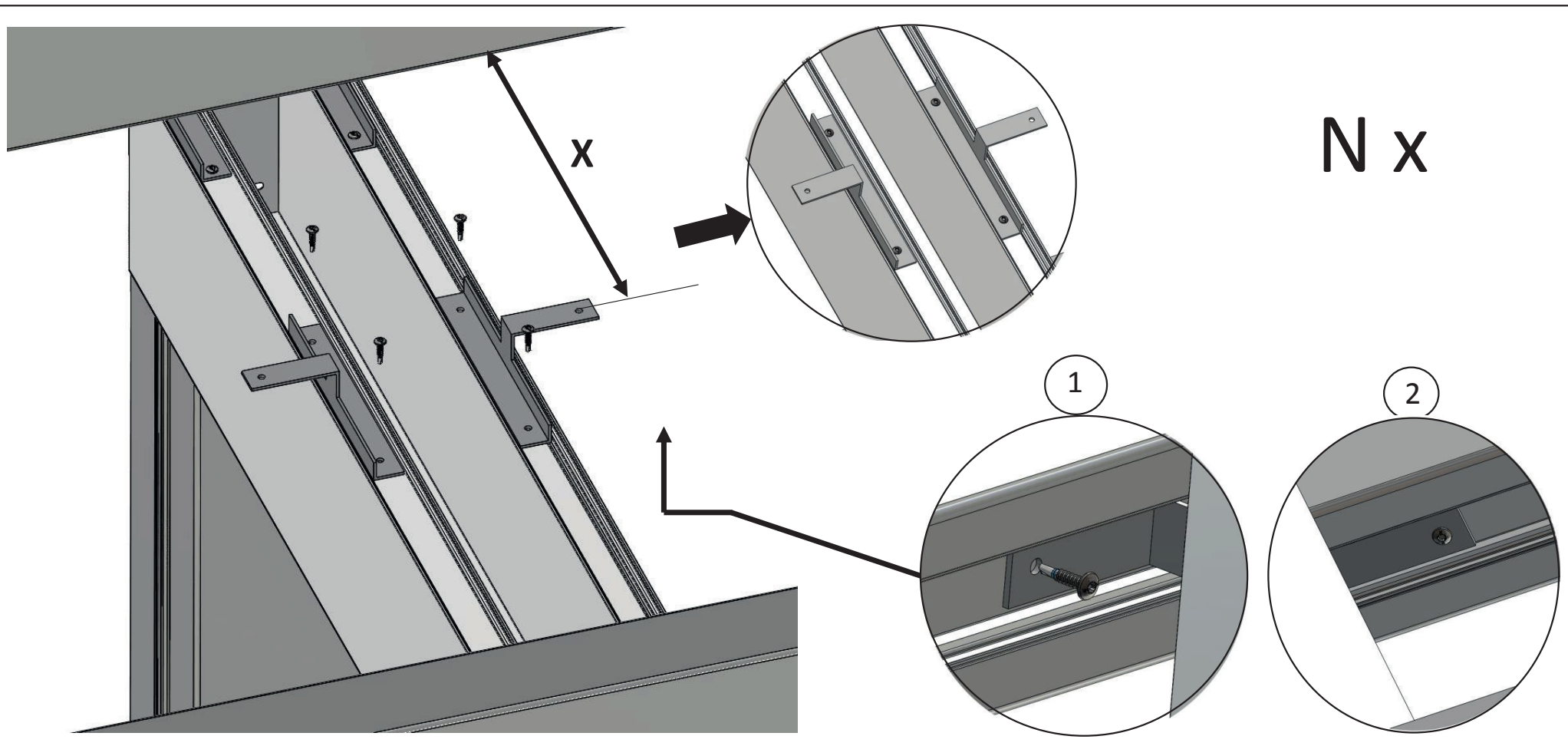
6 x

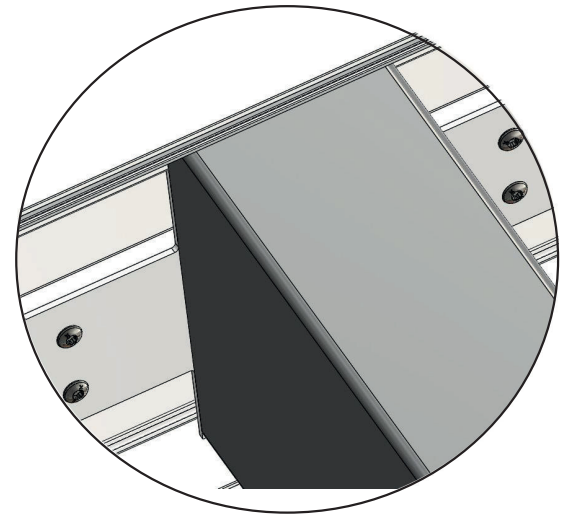
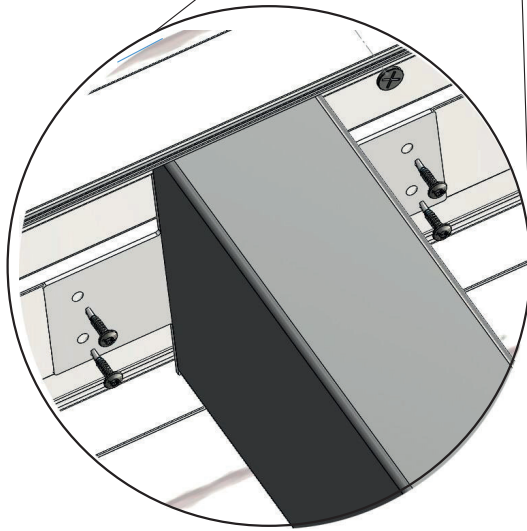
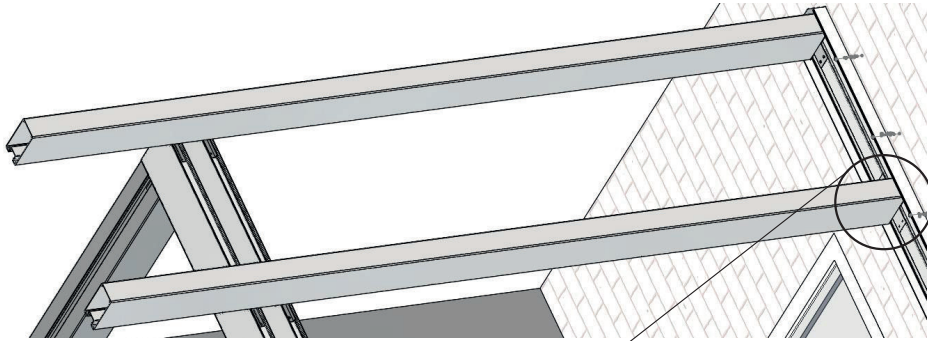


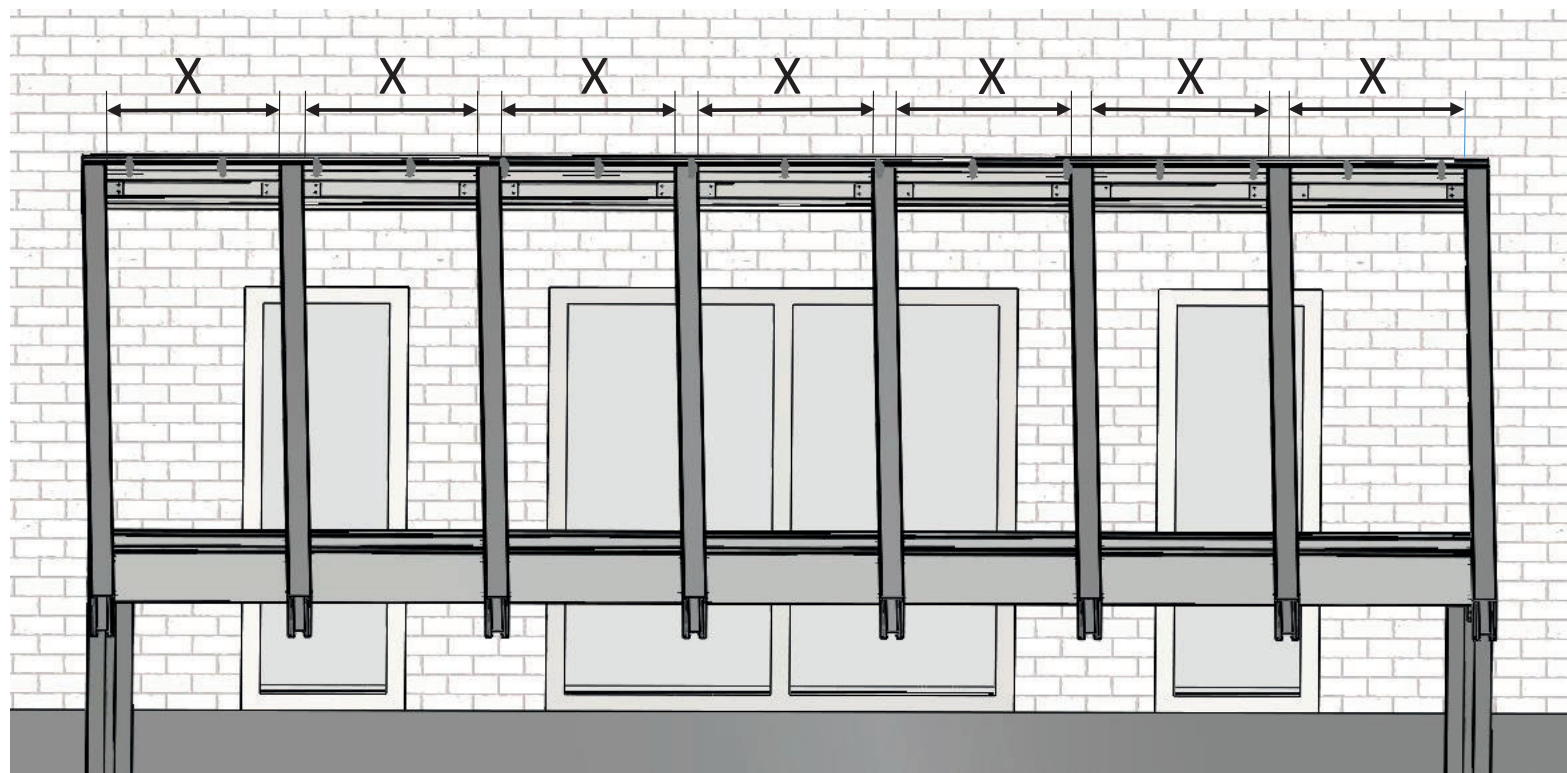
12 x



36 x

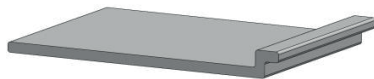




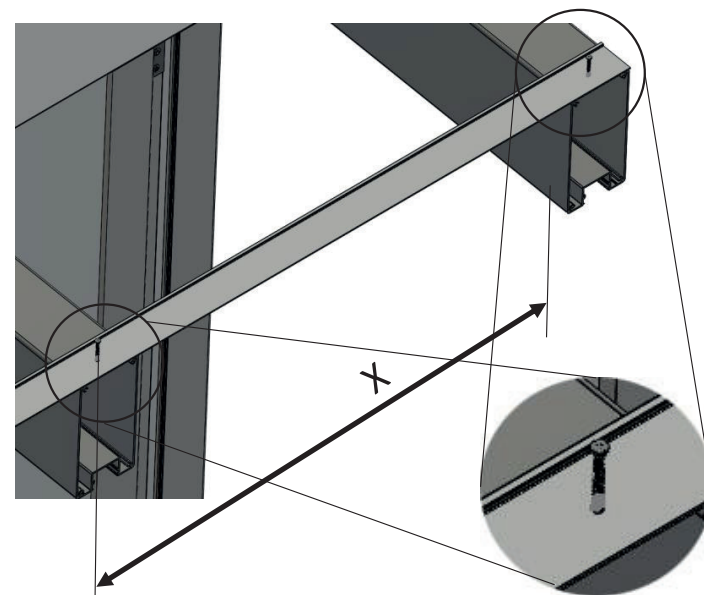
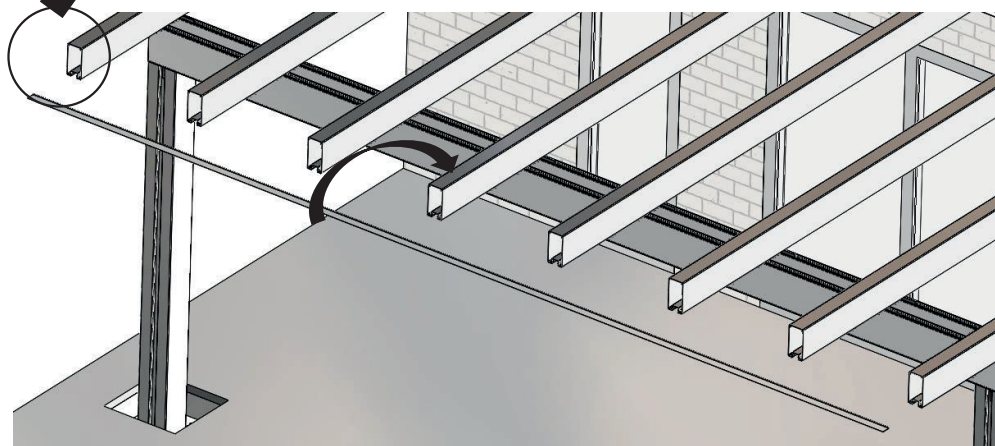
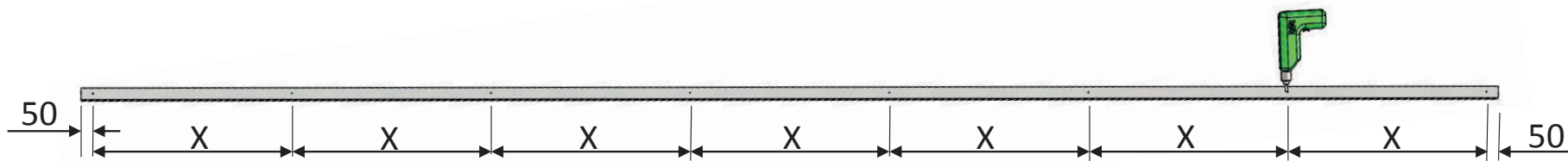


44

1 x AL10008

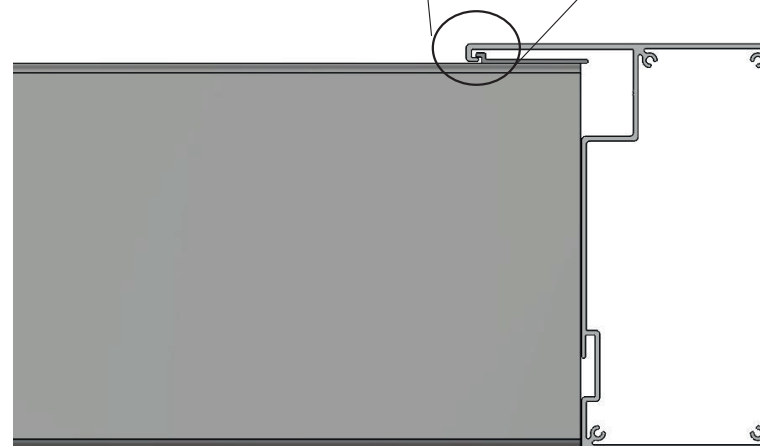
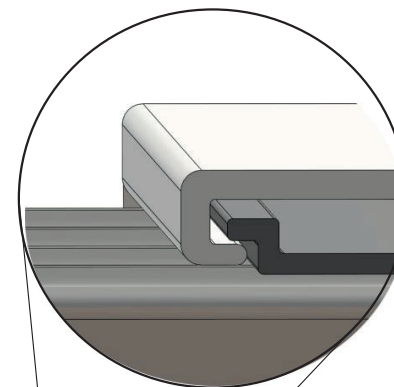
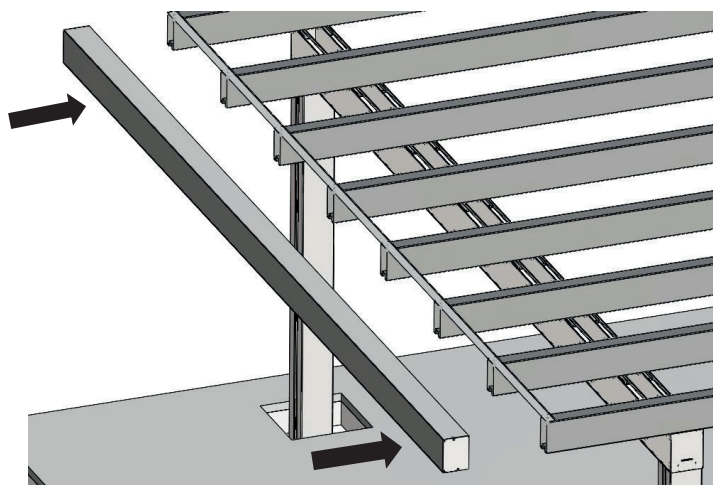


390 SA 4,2 x 32



45

1 x AL 10005

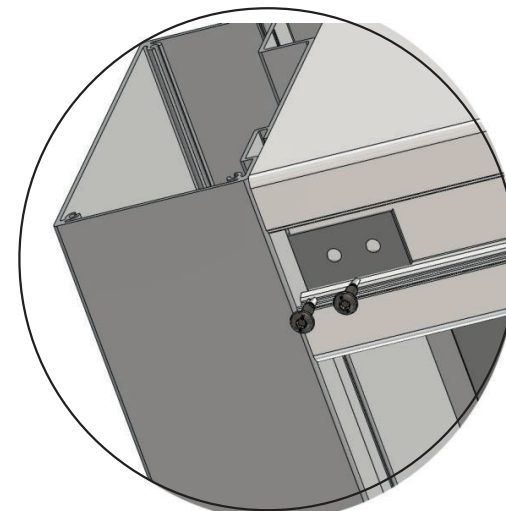
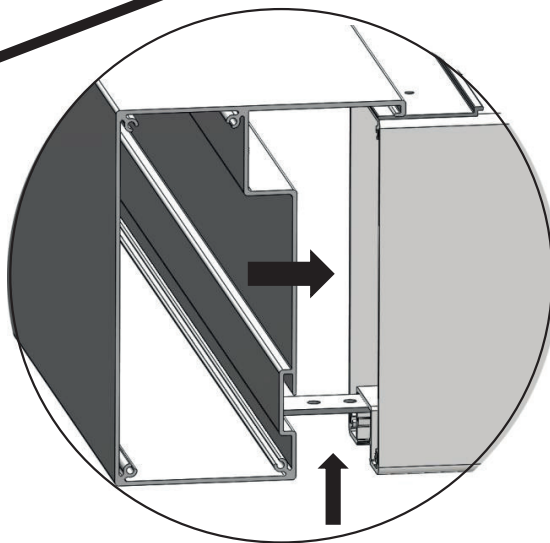
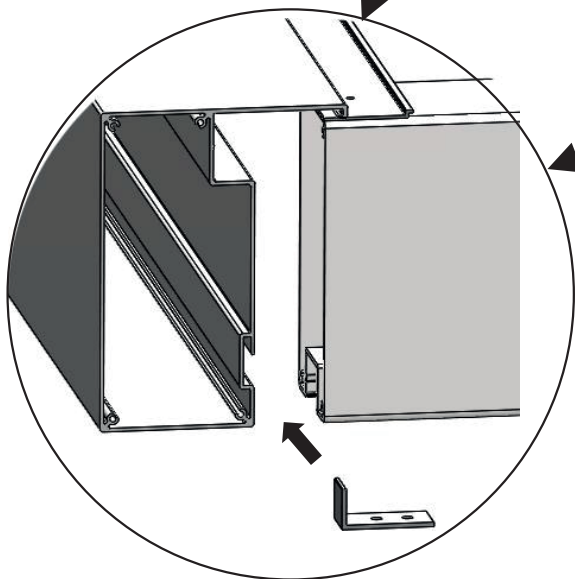
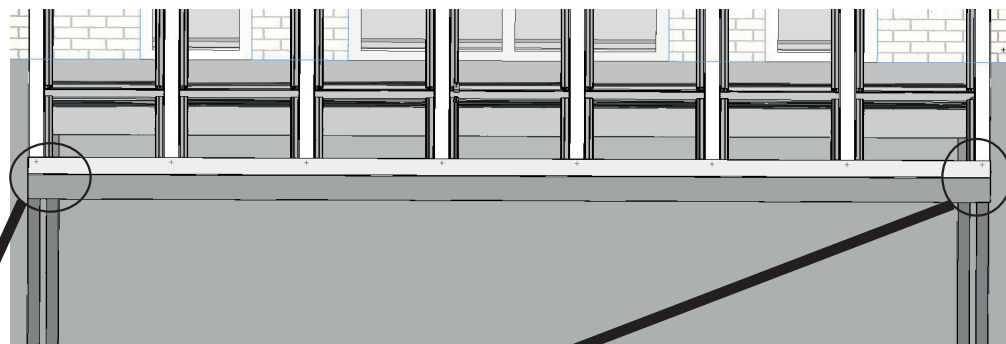


46

4 x



2 x AL10010

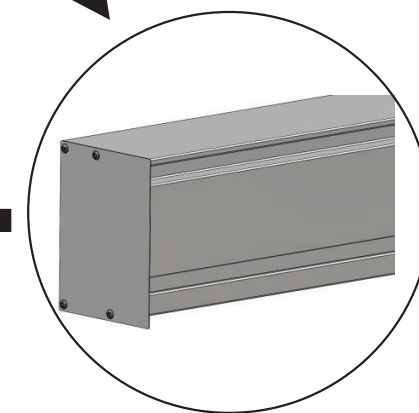
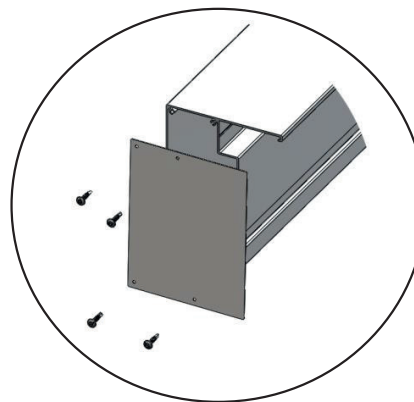
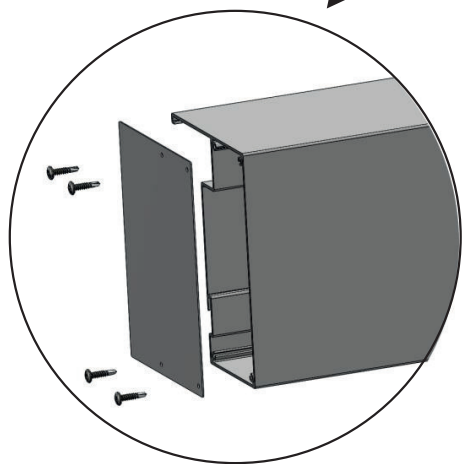


47

8 x

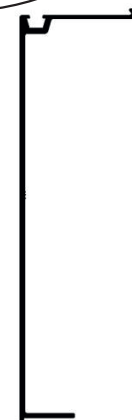
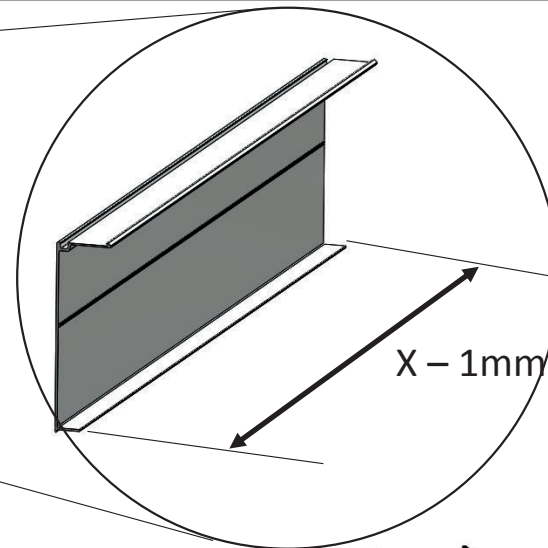
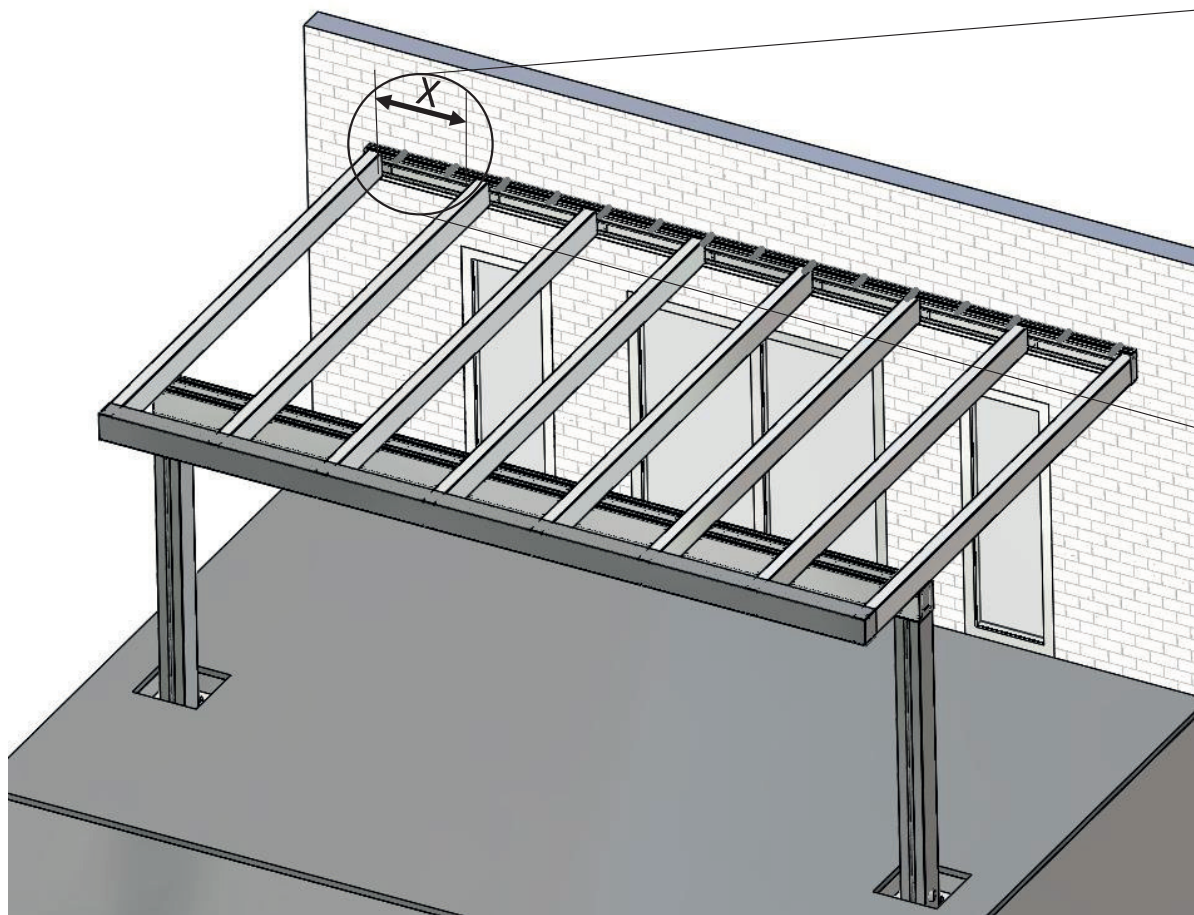


2 x UL-01



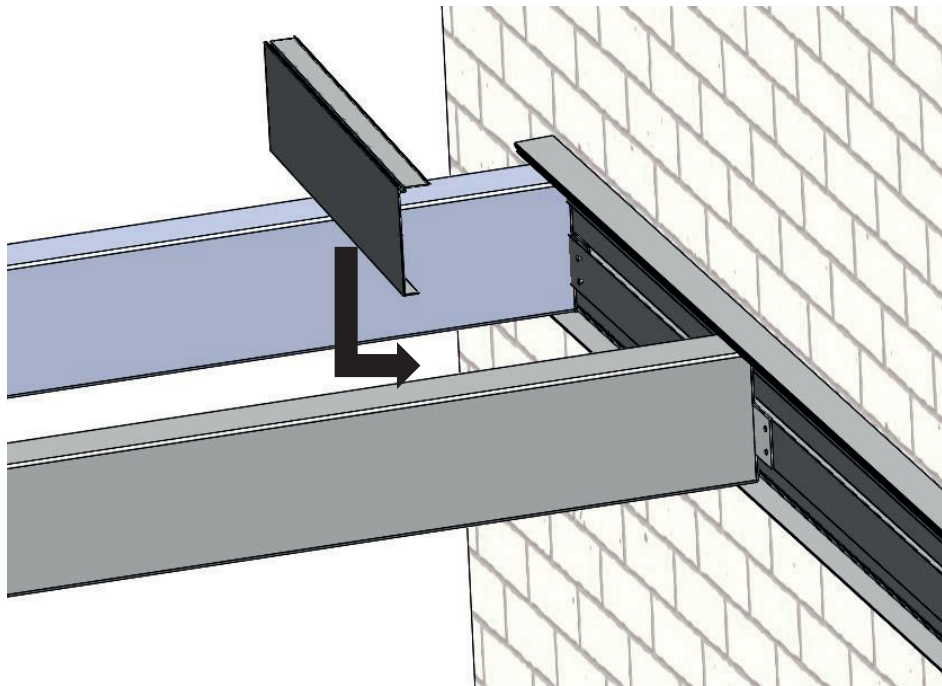
48

AL10004

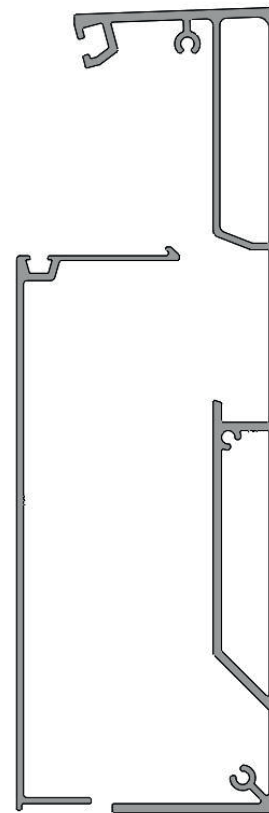


49

N x AL10004



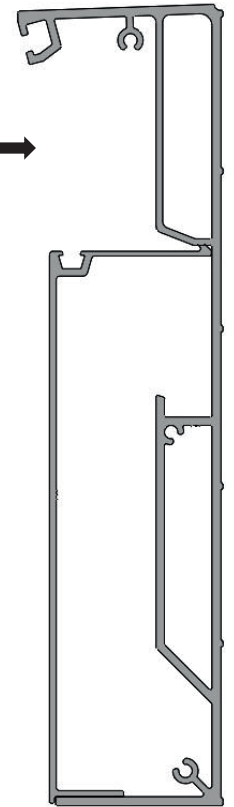
AL10004

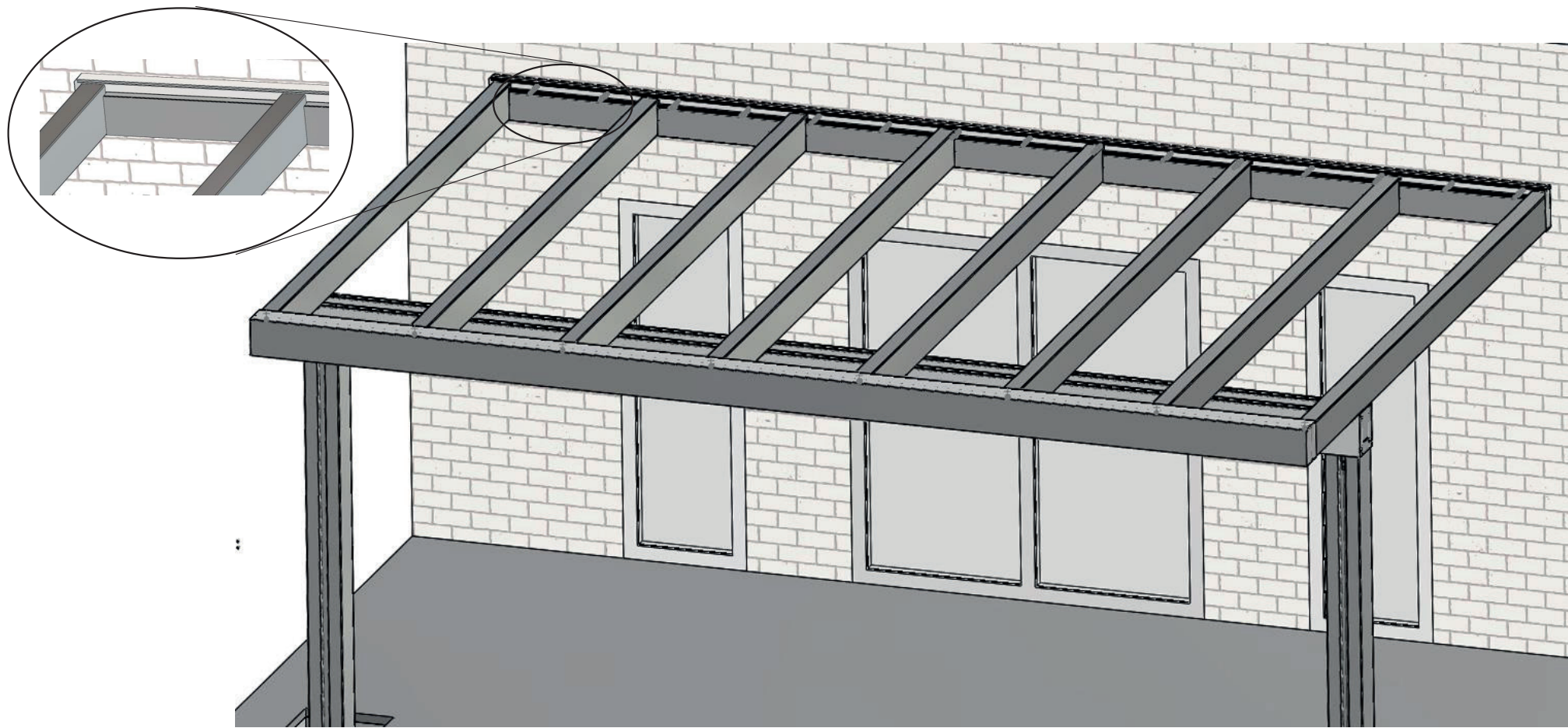


← AL10006 →



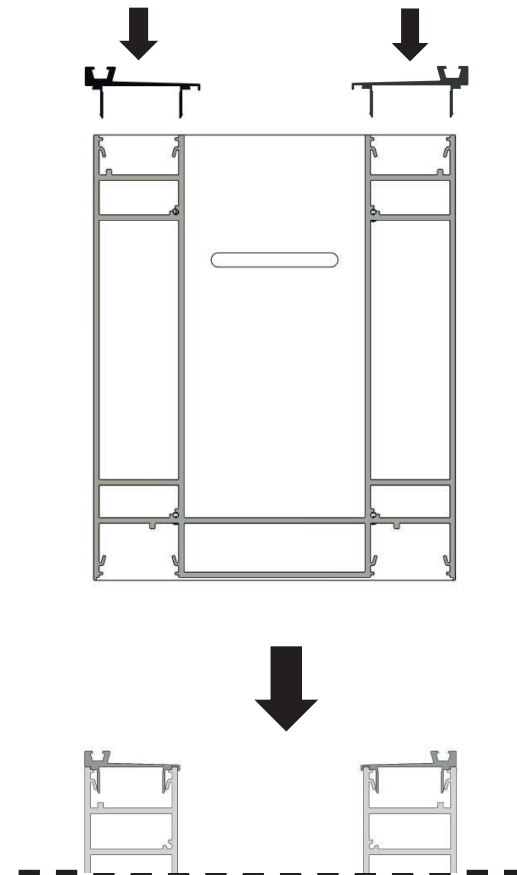
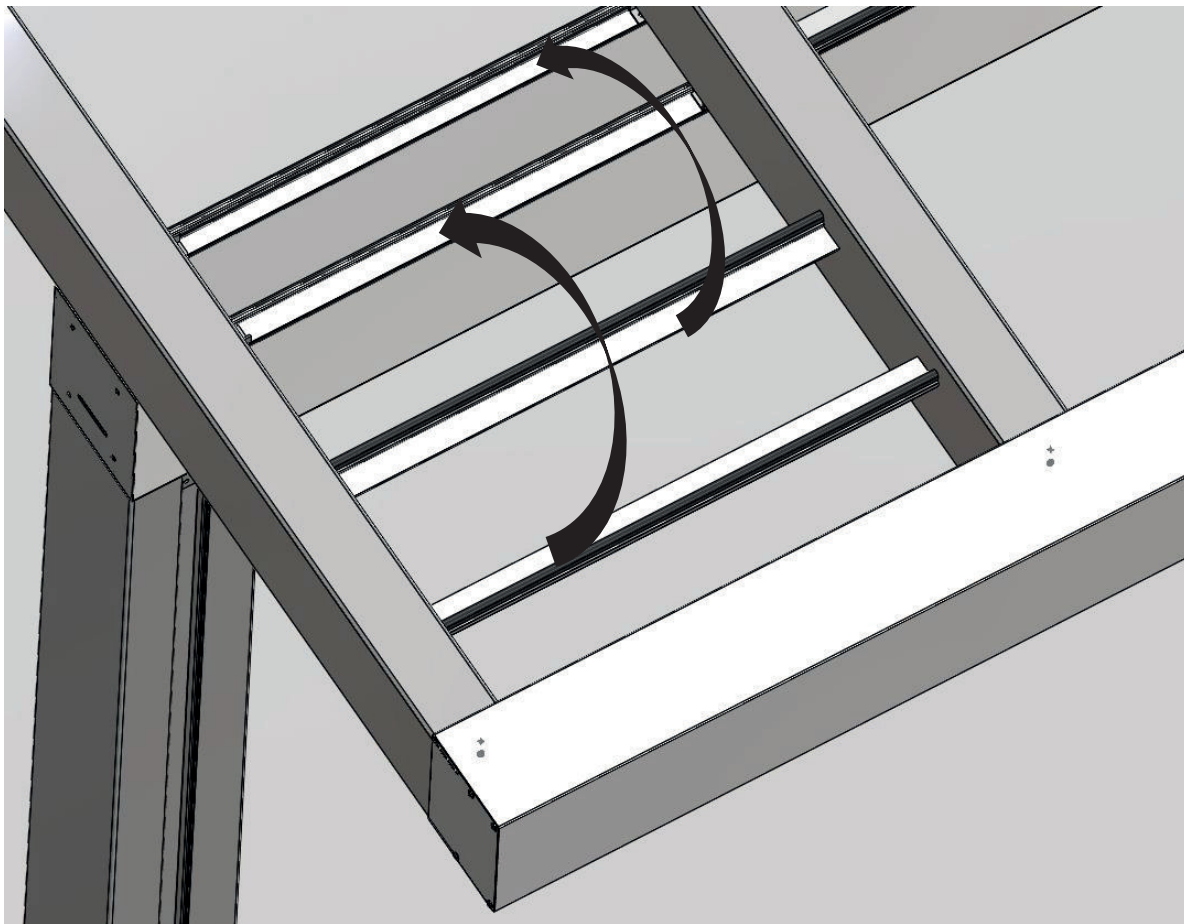
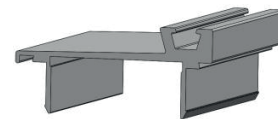
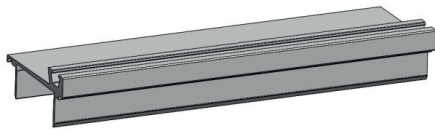
AL10004





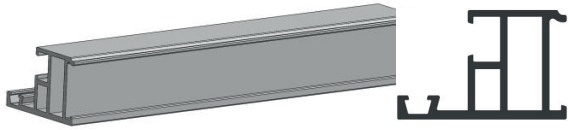
51

14x AL10011



52

2 x AL1012



2 x



0385 SA 5,5 x 32



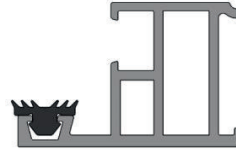
R



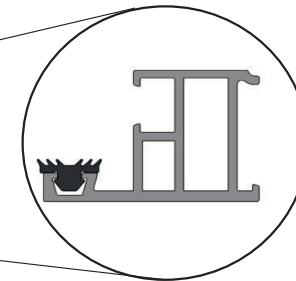
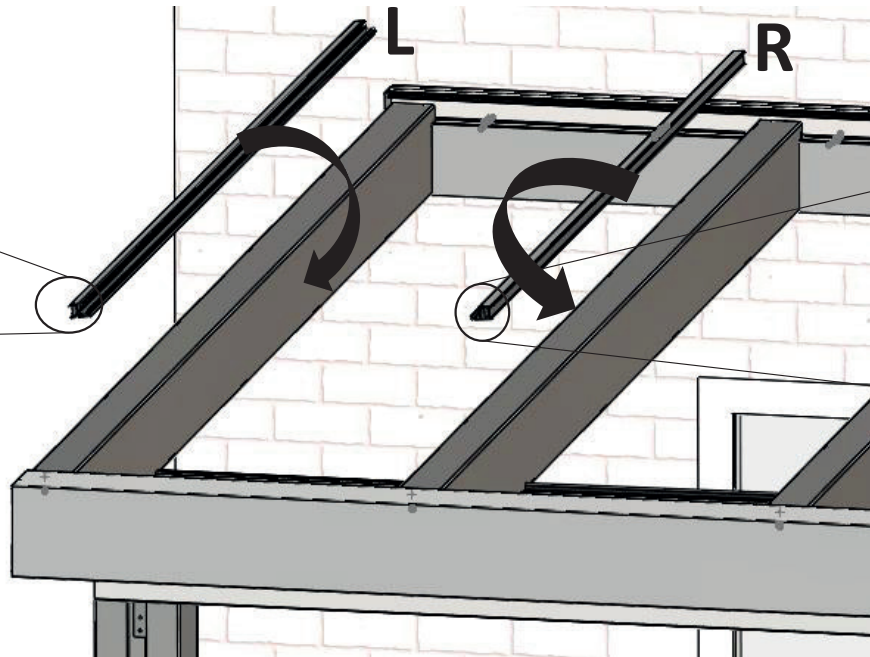
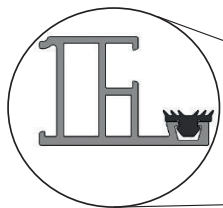
L



R

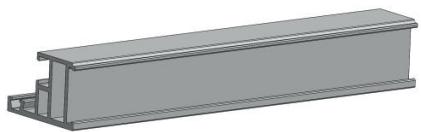


L

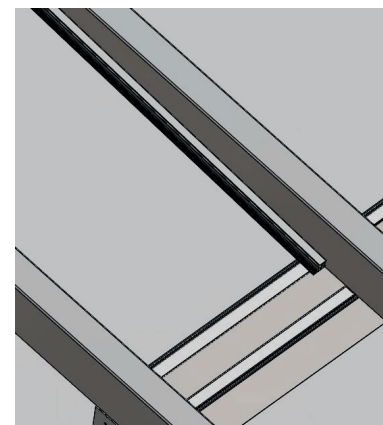
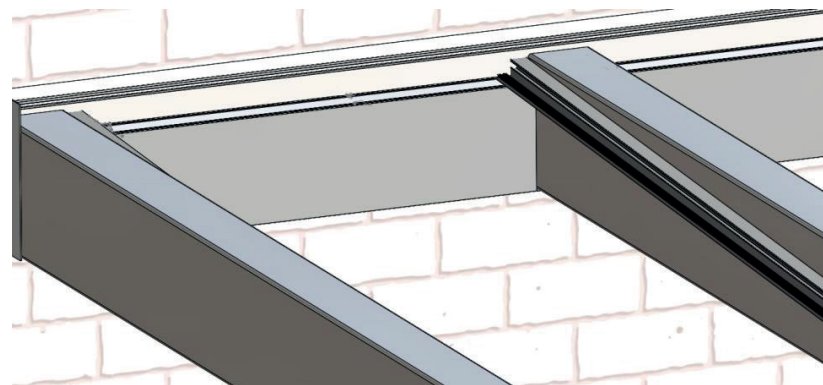
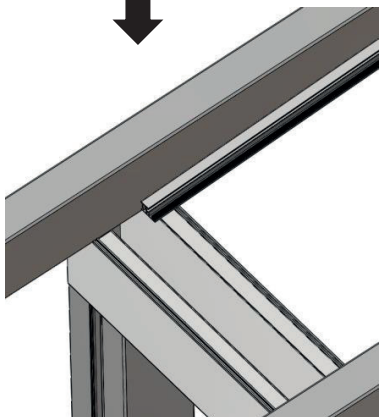
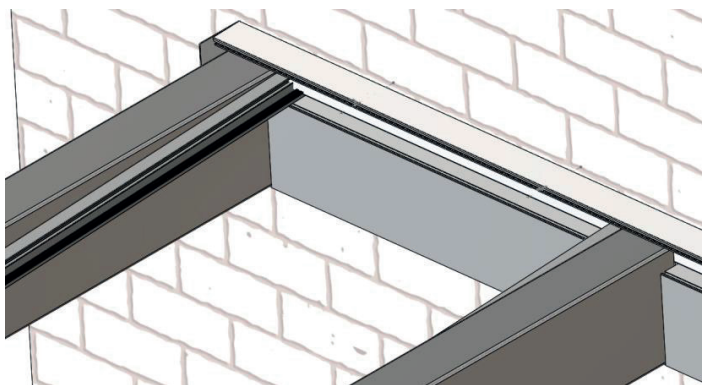


53

2 x AL10012

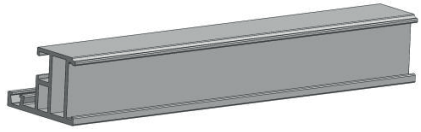


2 x

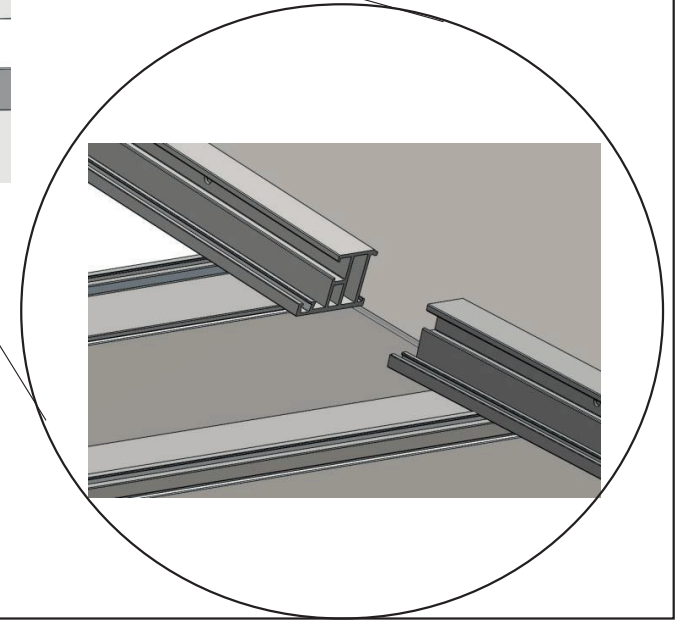
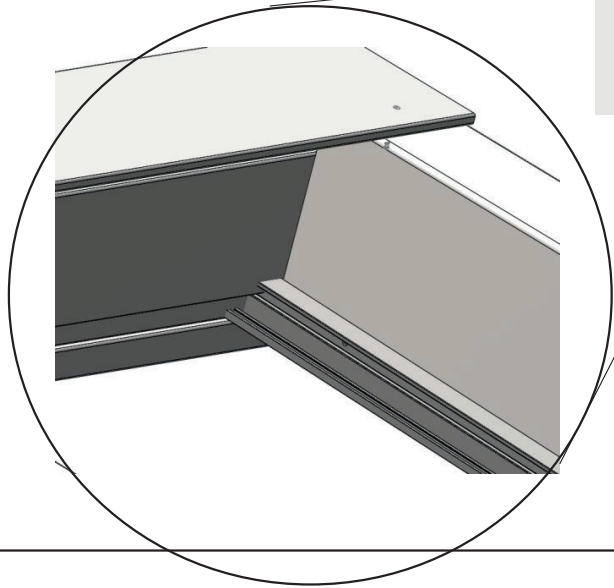
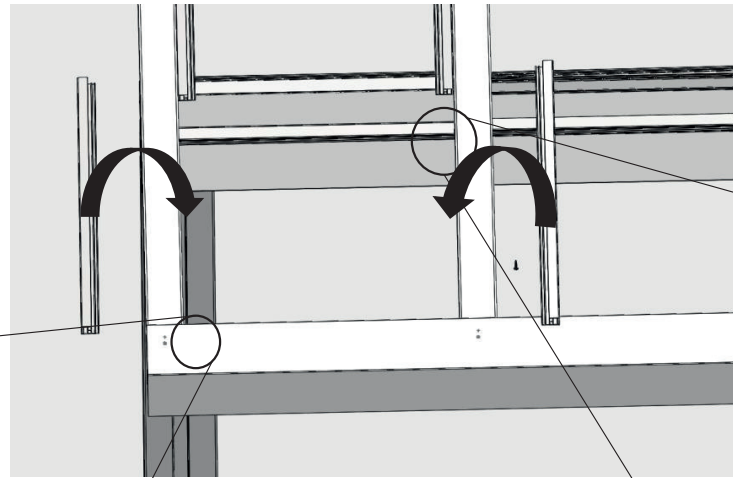


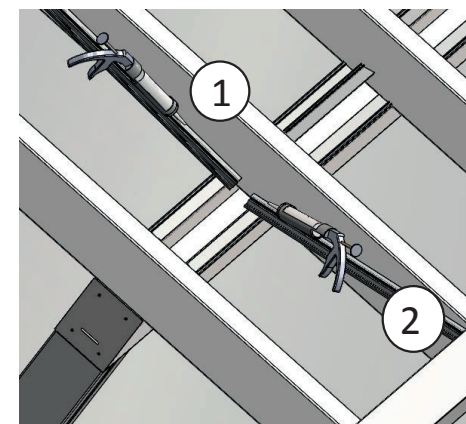
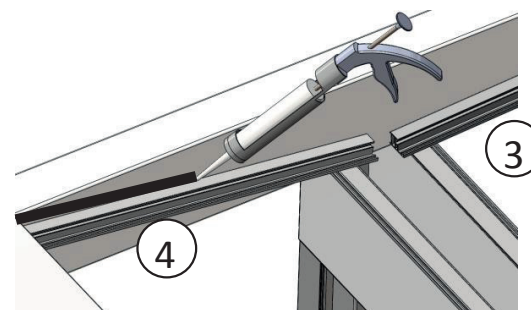
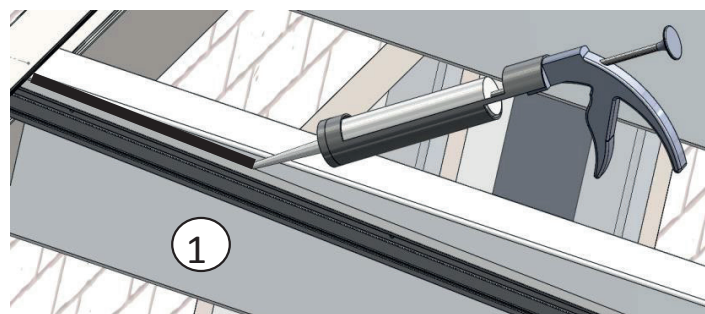
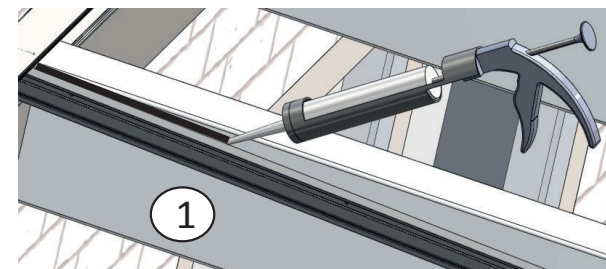
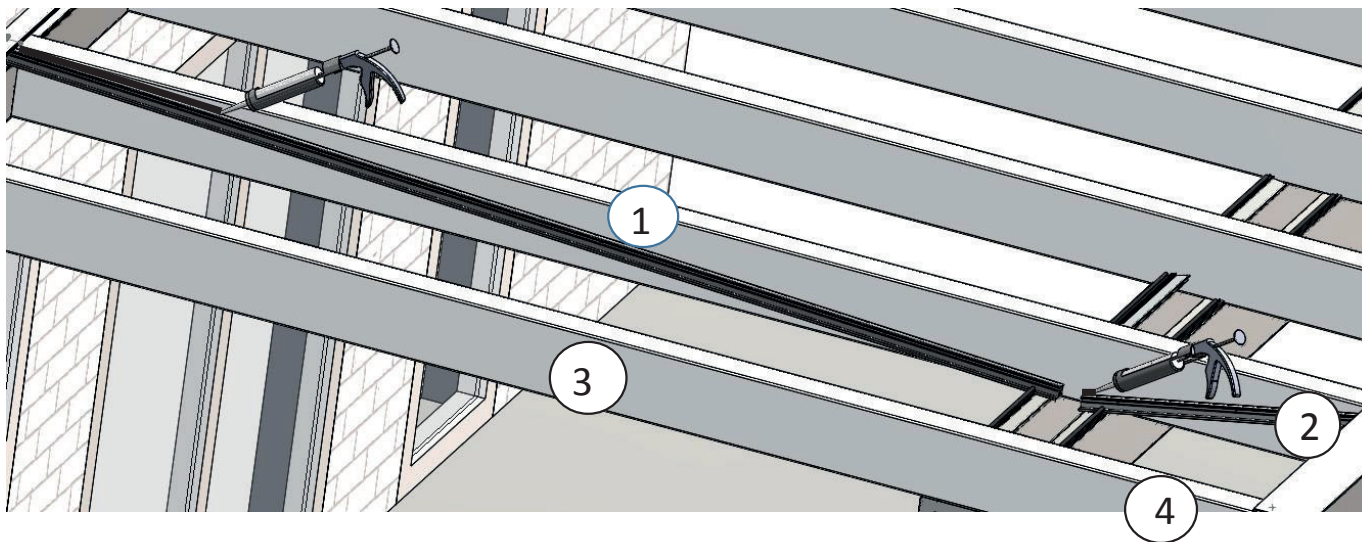
54

2 x AL1012



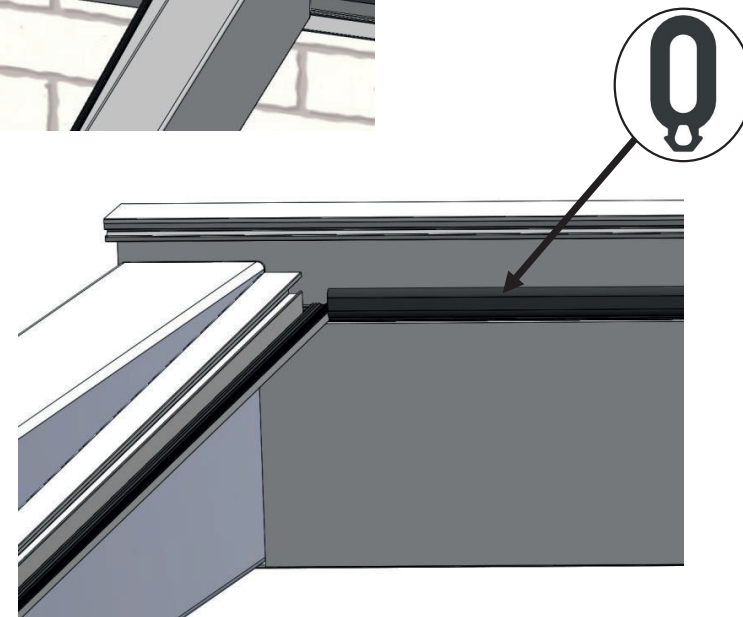
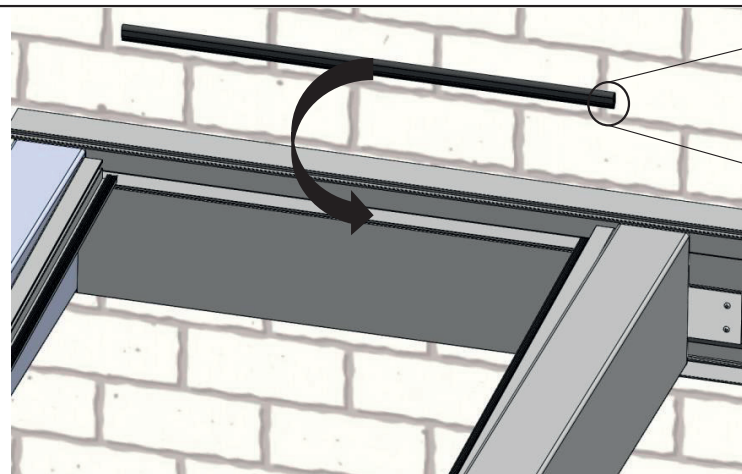
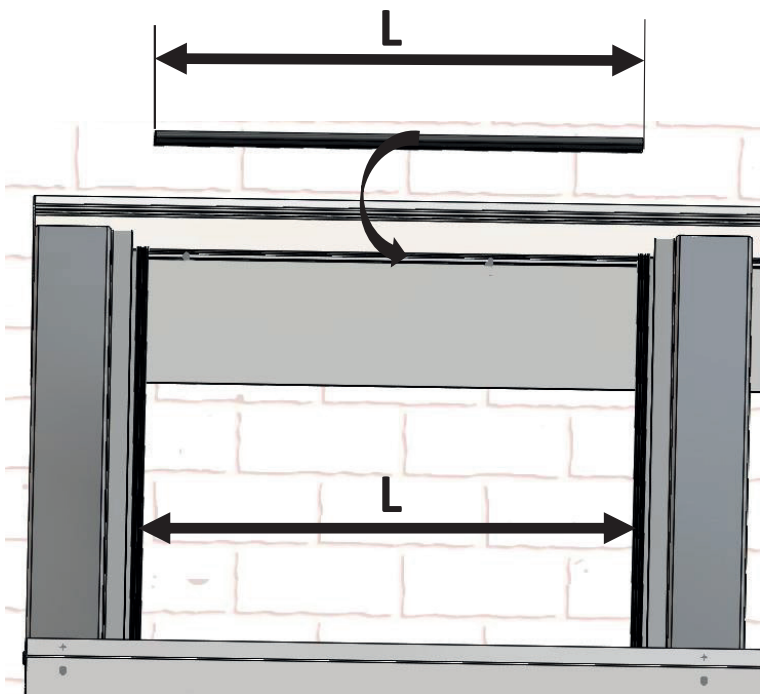
2 x





56

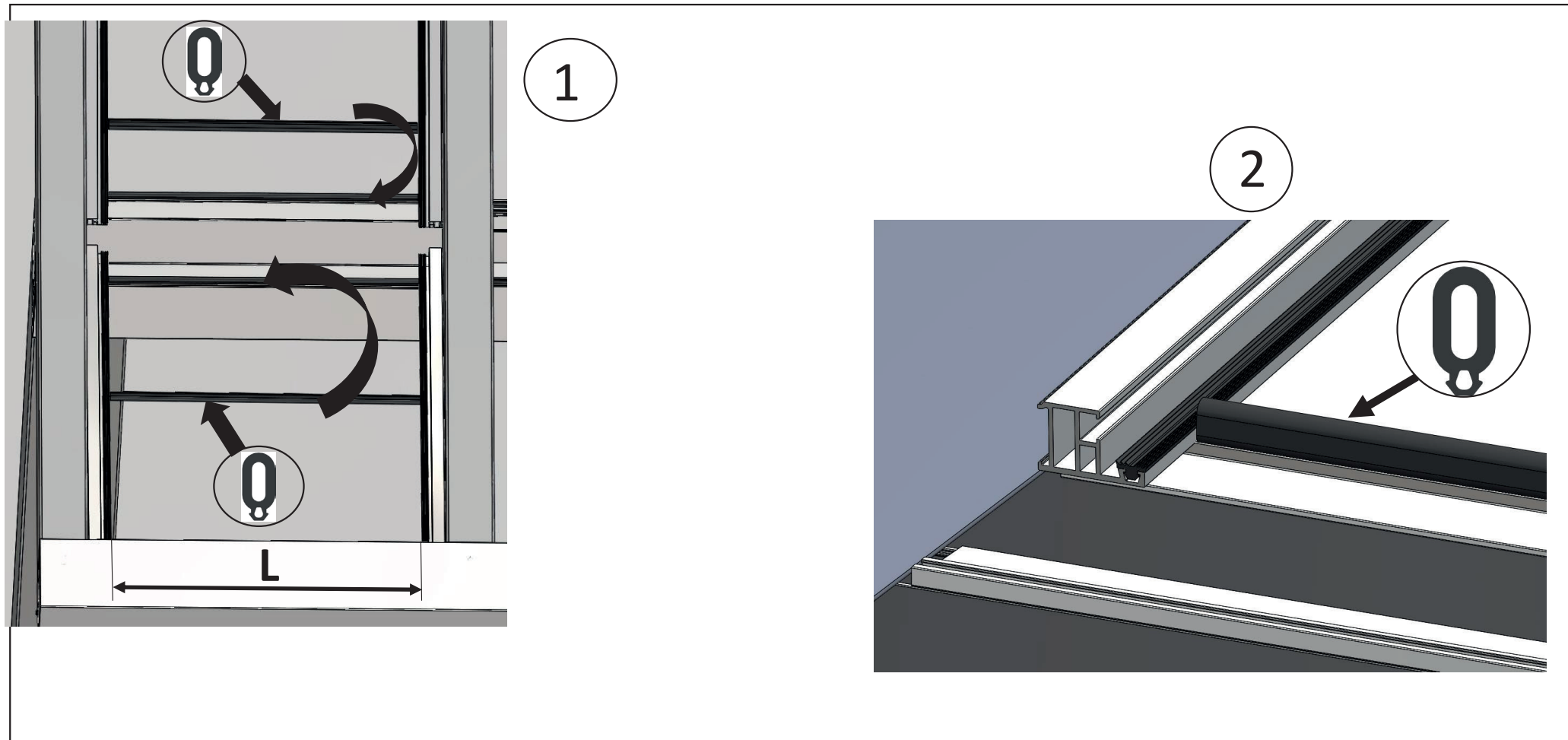
1 x

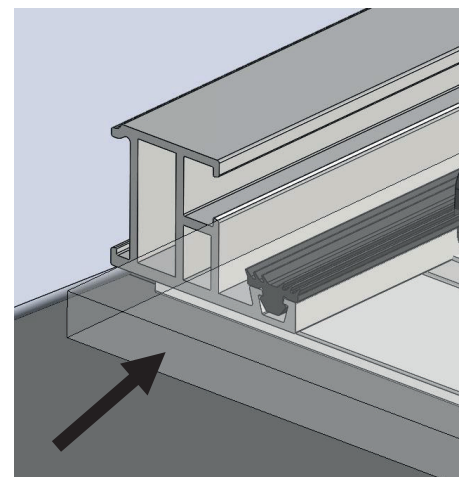
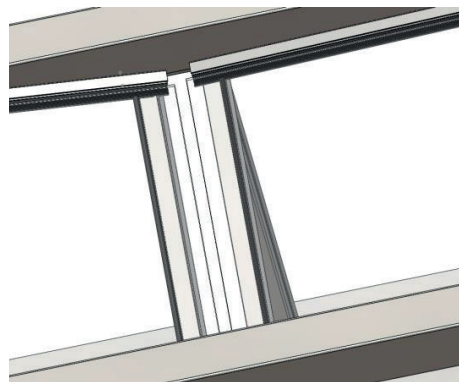
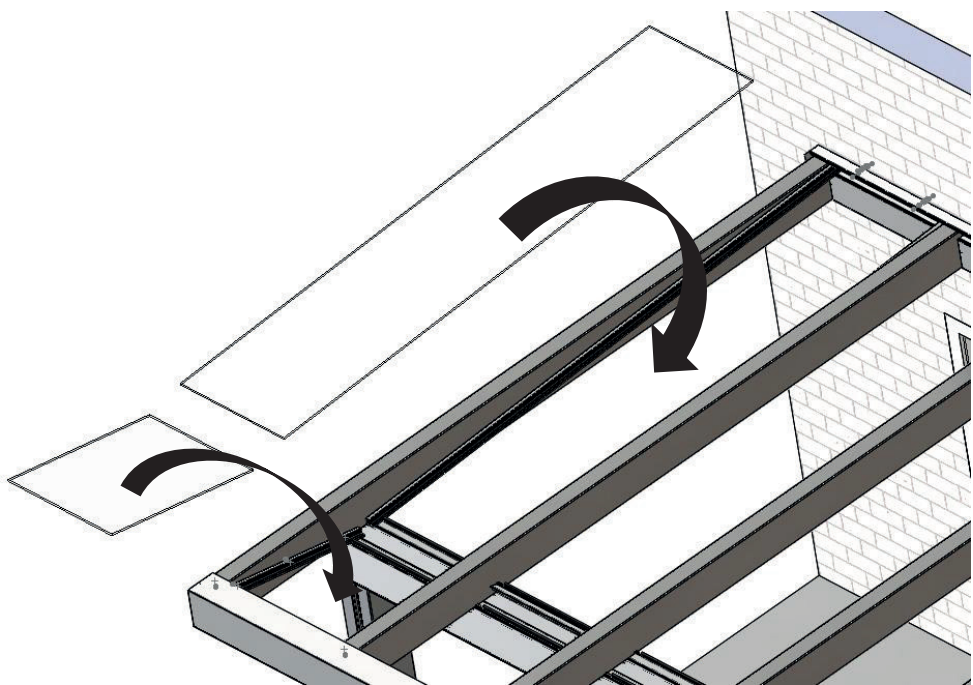


57

2 x

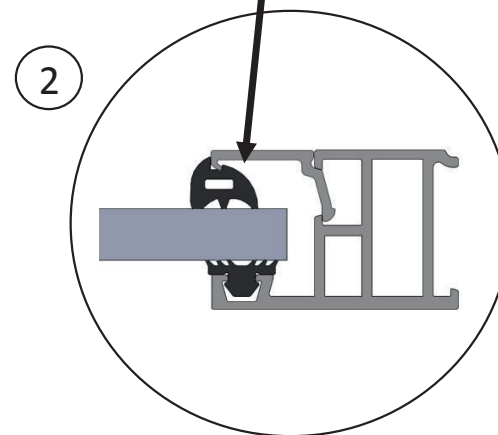
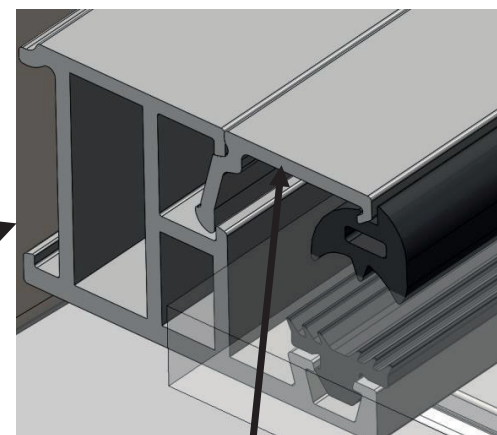
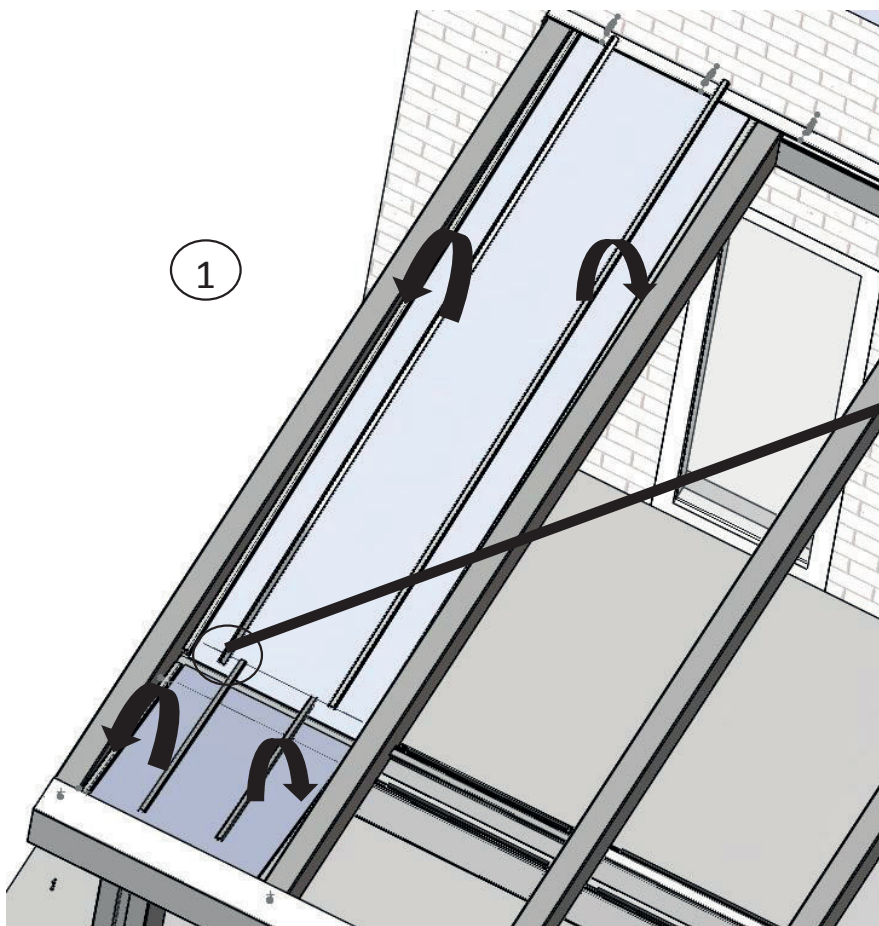
L

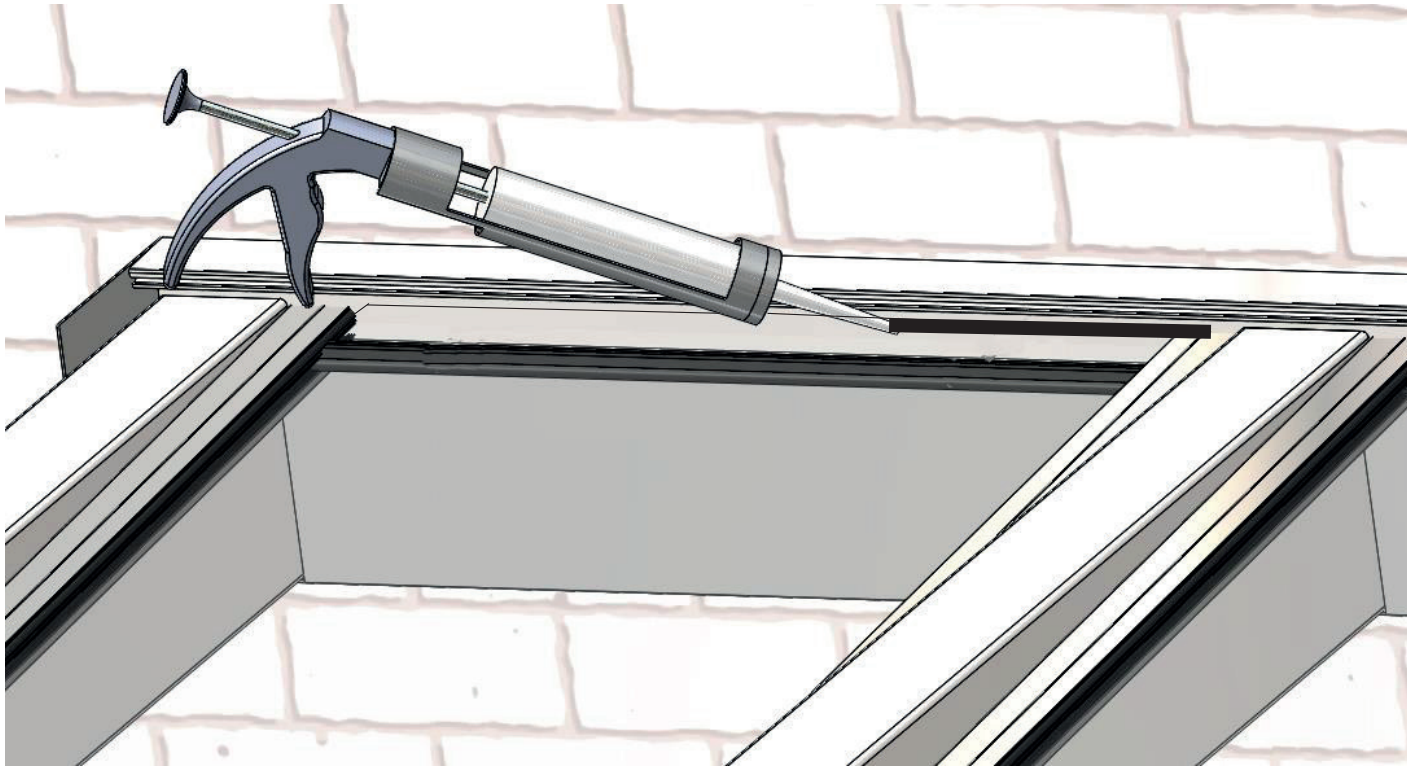




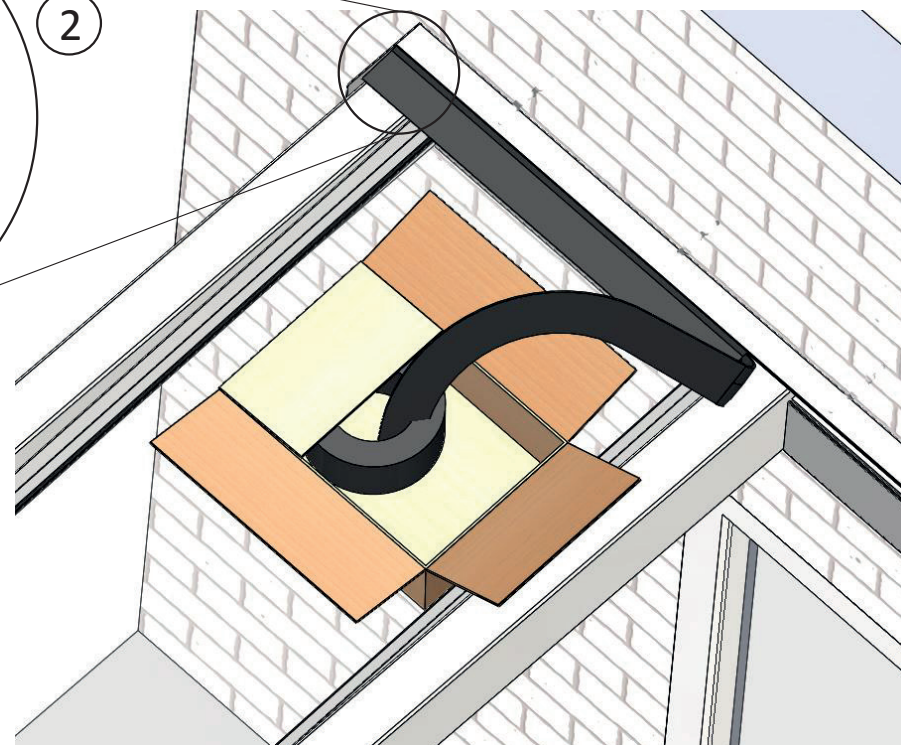
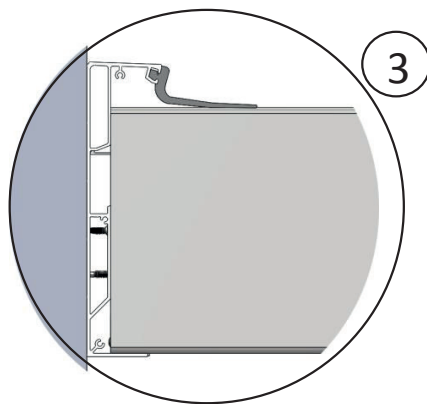
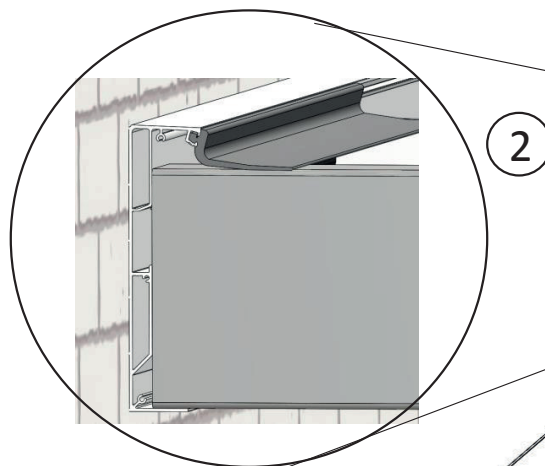
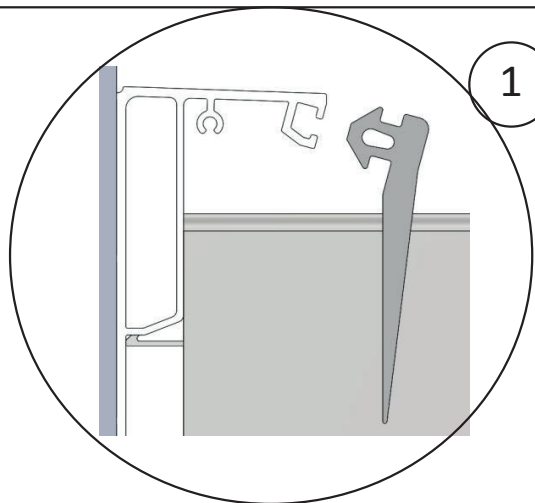
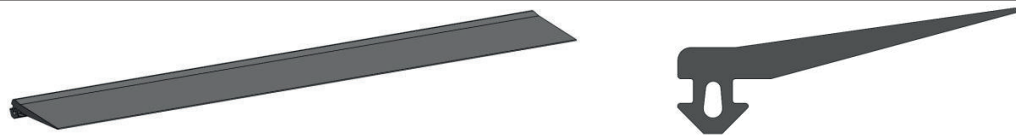
59

AL10013

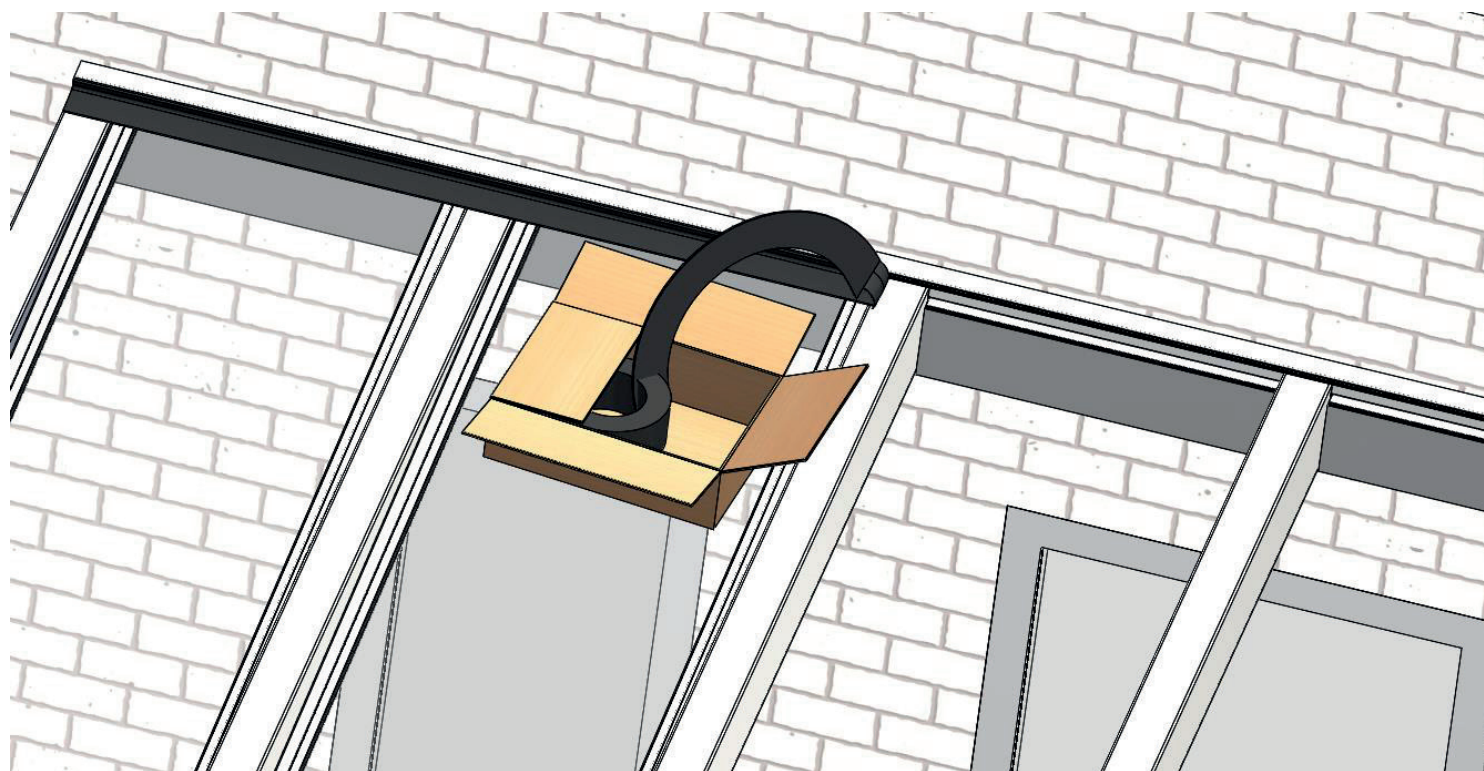
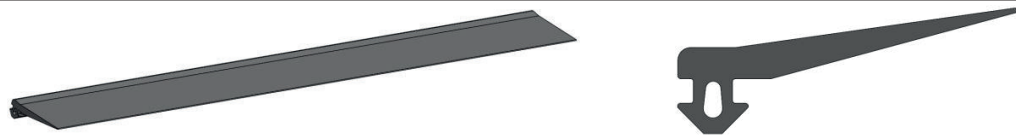




61



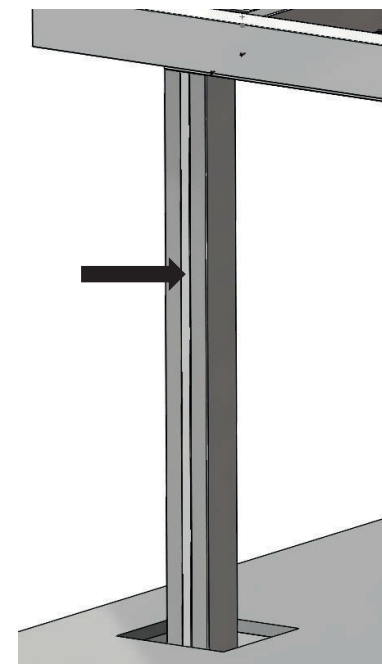
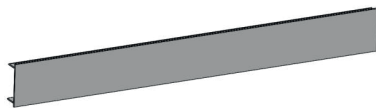
62



N x

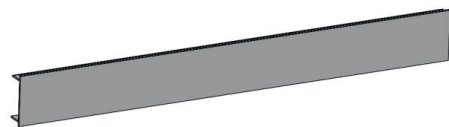
63

4 x AL10007

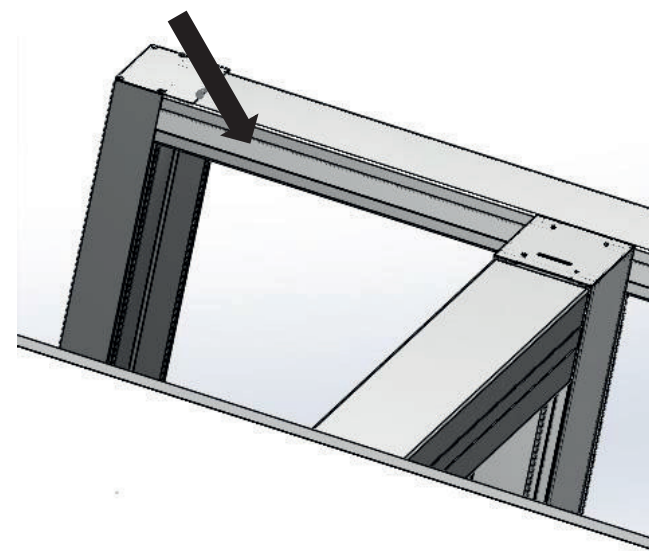
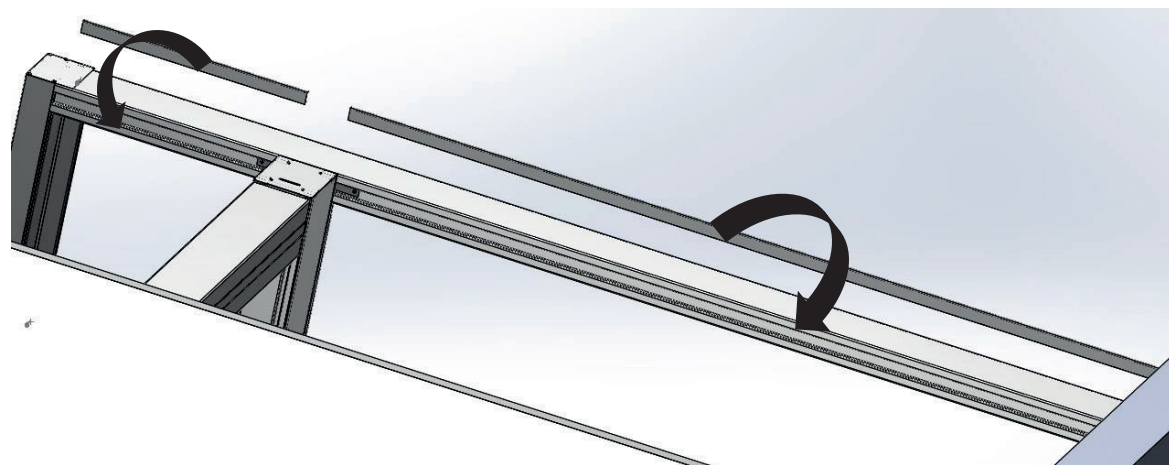


64

N x AL10007

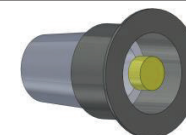
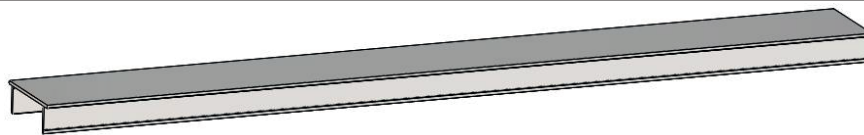


N x

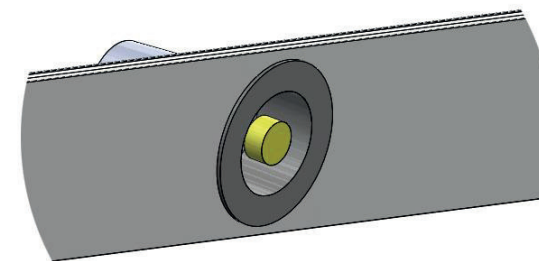
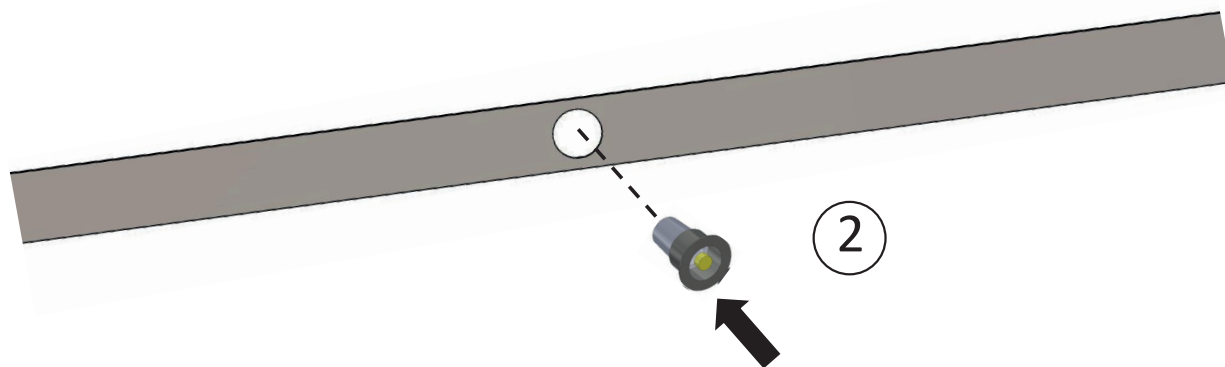
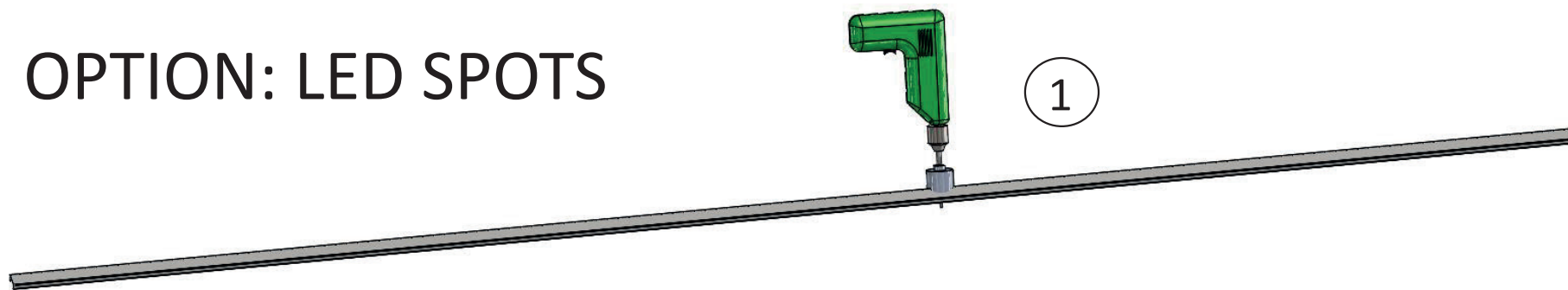


65

N x AL10007



OPTION: LED SPOTS



OPTION: LED SPOTS

